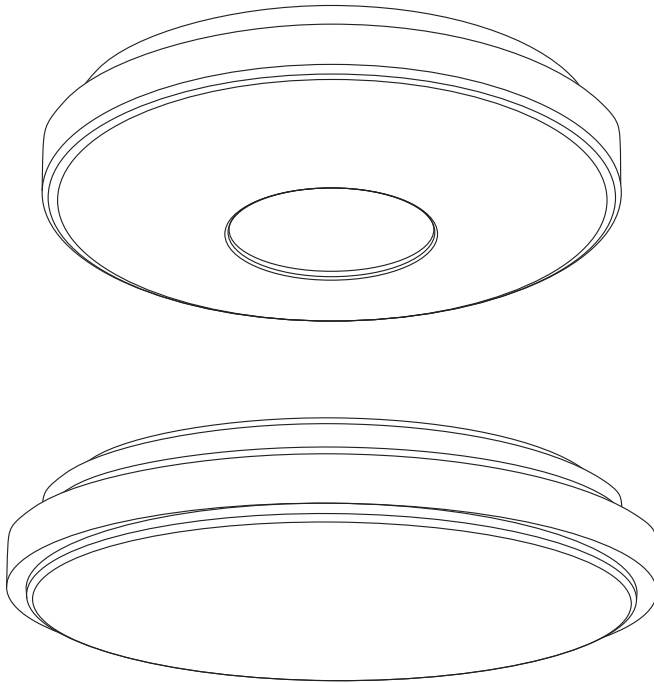


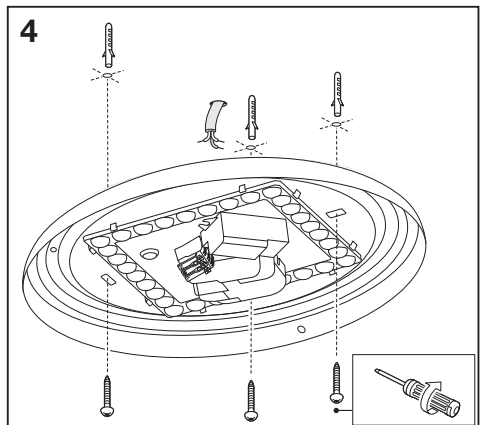
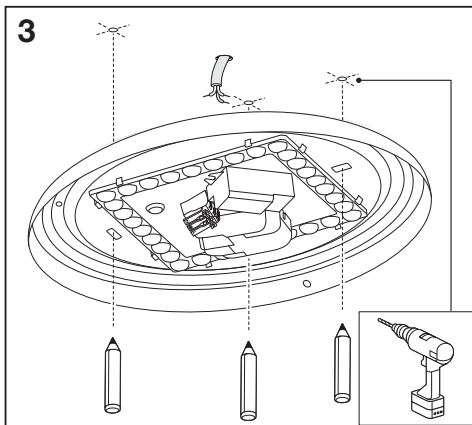
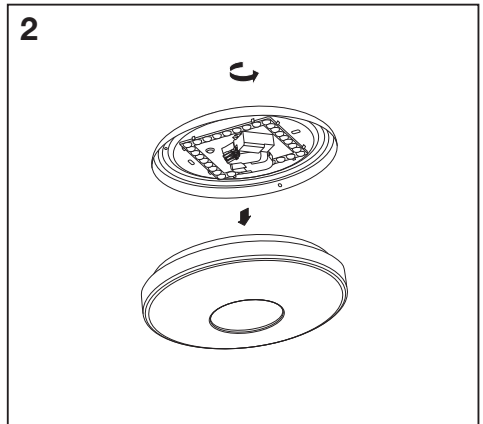
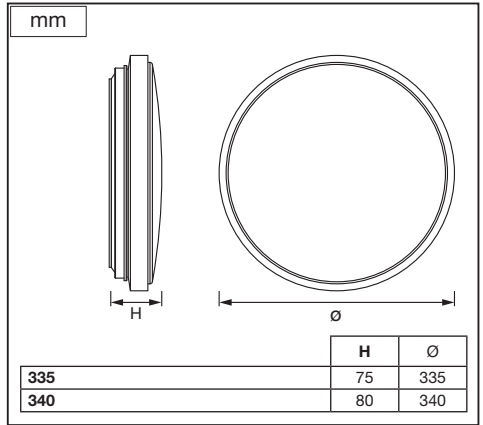
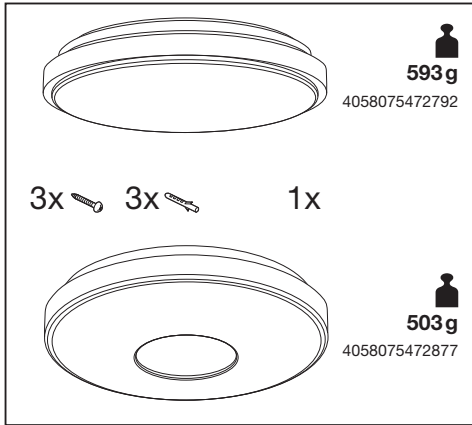
---

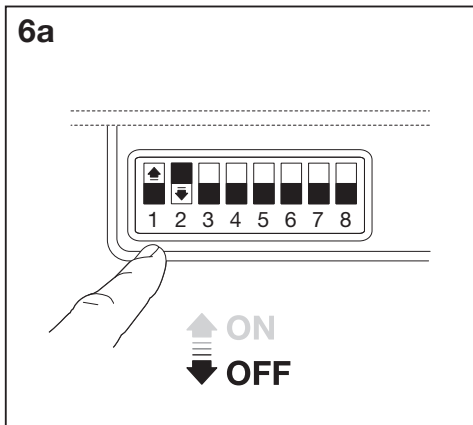
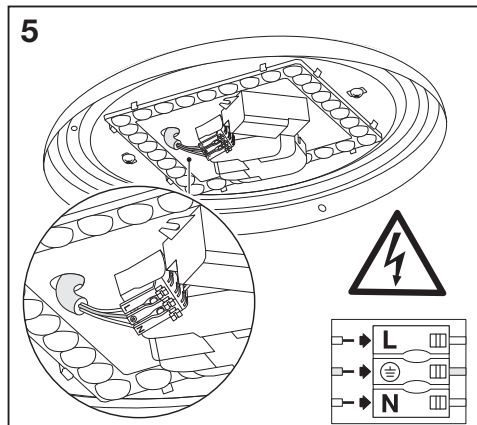
**ORBIS**


---

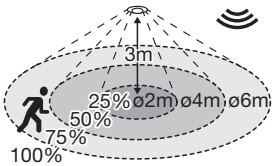


	EAN	W	lm	K	Δ (°C)	V~	mA	Hz	PF
<b>ORBIS FRAME 335 RD</b> <b>24W 830 CLICKSEN</b>	4058075472792	24	1320	3000	-20...+40	220-240	130	50/60	>0.7
<b>ORBIS SPARKLEDOT 340</b> <b>24W 830 CLICKSEN</b>	4058075472877	24	1680	3000	-20...+40	220-240	130	50/60	>0.7






**6b** Detection area



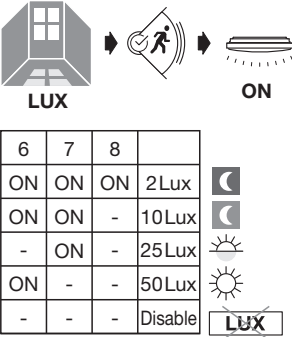
1	2	
ON	ON	100%
ON	-	75%
-	ON	50%
-	-	25%




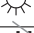

Hold time



3	4	5	
ON	ON	ON	5s
ON	ON	-	30s
ON	-	ON	1min
ON	-	-	3min
-	ON	ON	5min
-	ON	-	10min
-	-	ON	20min
-	-	-	30min

Daylight sensor

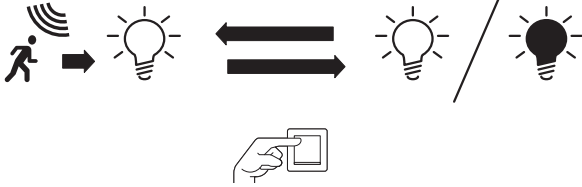


6	7	8	
ON	ON	ON	2Lux 
ON	ON	-	10Lux 
-	ON	-	25Lux 
ON	-	-	50Lux 
-	-	-	Disable 

2 MODE: SENSOR MODE / CONVENTIONAL LIGHT MODE

SENSOR MODE

CONVENTIONAL LIGHT MODE



2X OFF/ON

AUTO CHECKING

Conventional light mode

Sensor mode

10 seconds

OK 