

---



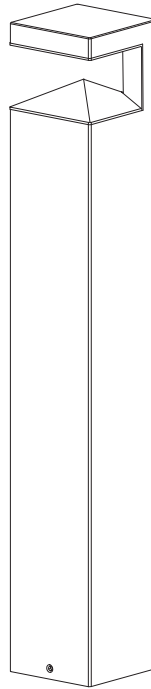
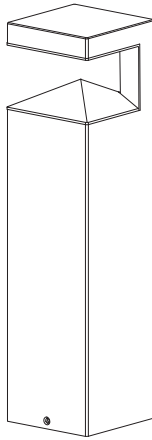
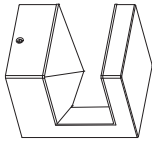
---

**ENDURA® STYLE**


---

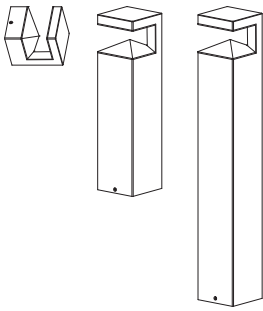


---



	EAN	W	lm	K	Temp. (°C)	V~	mA	Hz	PF
<b>ENDURA STYLE PYRAMID WALL 9W ST</b>	4058075477896	9	600	3000	-20...+40	220-240	39	50/60	>0.5
<b>ENDURA STYLE PYRAMID 50CM 9W ST</b>	4058075477919	9	600	3000	-20...+40	220-240	39	50/60	>0.5
<b>ENDURA STYLE PYRAMID 80CM 9W ST</b>	4058075477933	9	600	3000	-20...+40	220-240	39	50/60	>0.5



1x



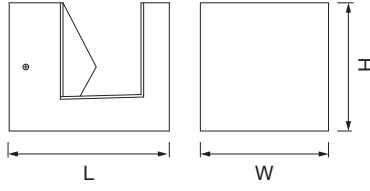
650 g  
4058075477896

1800 g  
4058075477919

2900 g  
4058075477933


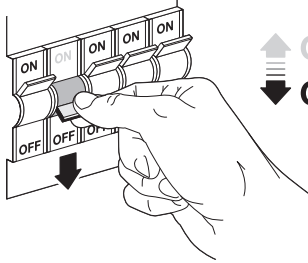
3x  3x 

mm



	L	W	H
PYRAMID WALL 9W ST	125	100	100
PYRAMID 50CM 9W ST	500	100	100
PYRAMID 80CM 9W ST	800	100	100

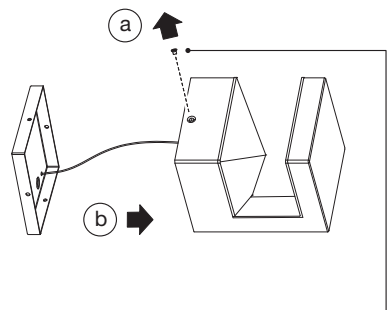

1

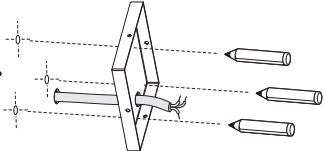

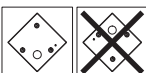
ON  
OFF

↑ ON  
↓ OFF

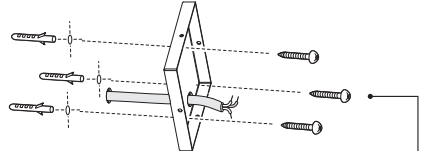
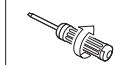
2

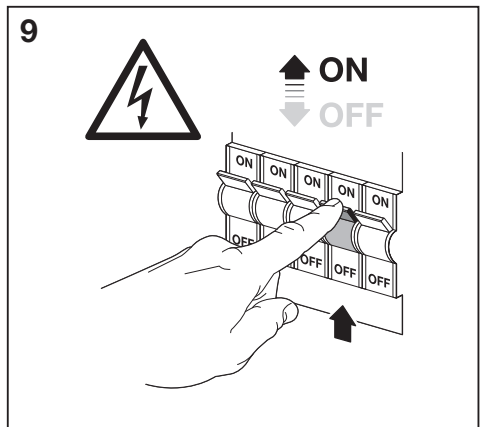
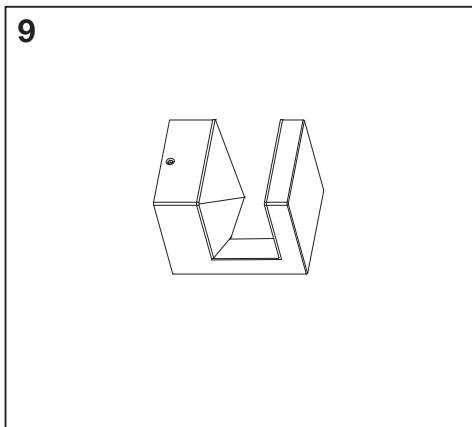
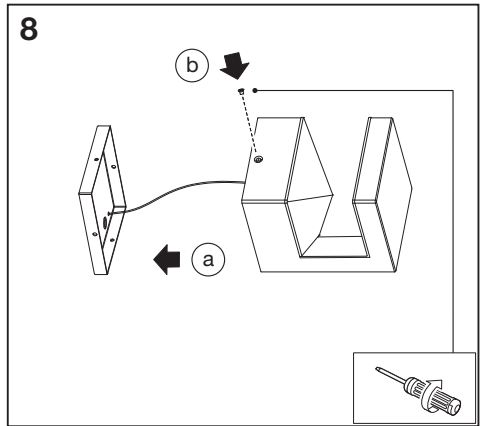
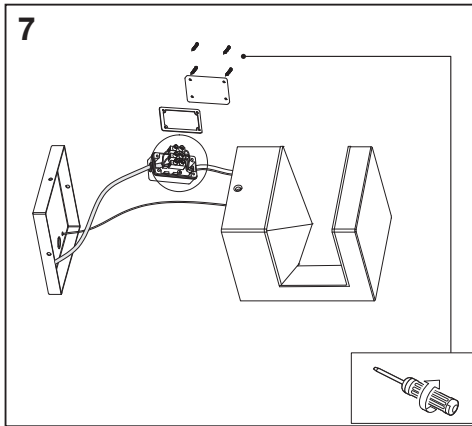
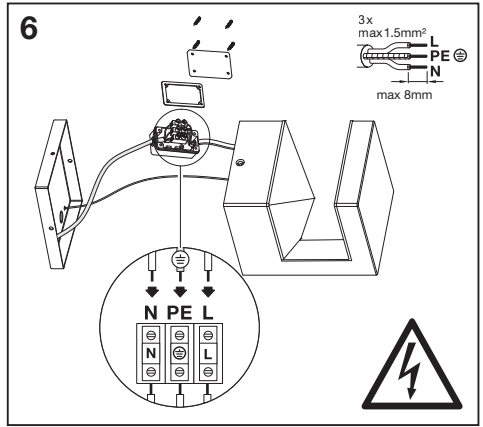
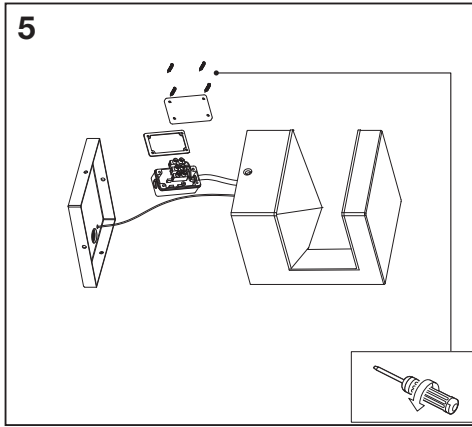



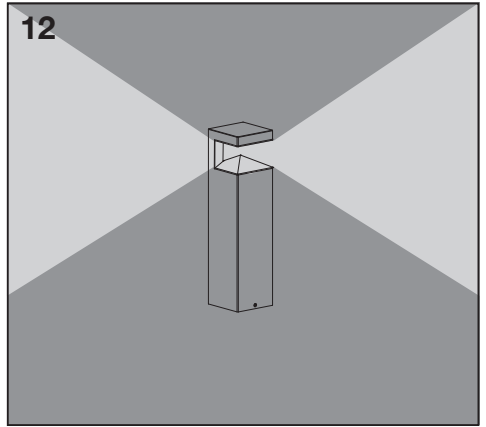
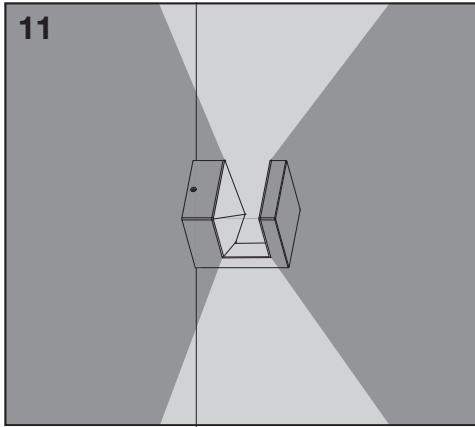
3

4





IP44 RoHS

C10449057  
G11100694  
13.07.2020



LEDVANCE GmbH  
Steinerne Furt 62  
86167 Augsburg, Germany  
[www.ledvance.com](http://www.ledvance.com)