

---



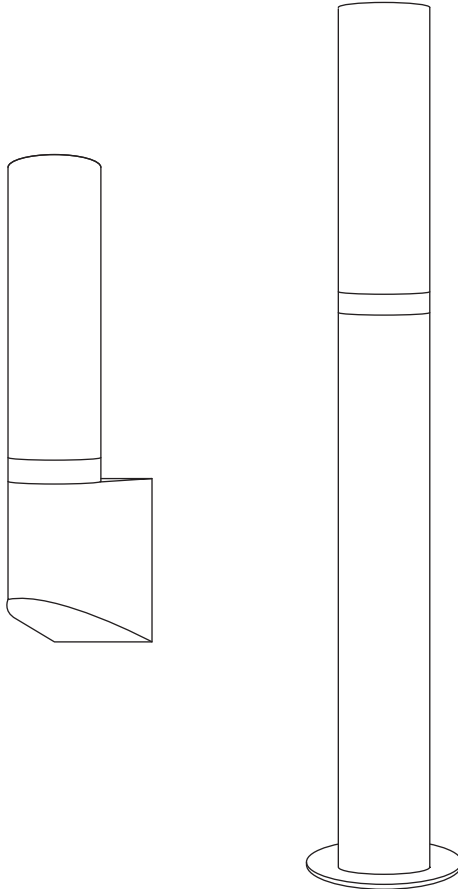
---

**ENDURA® STYLE**

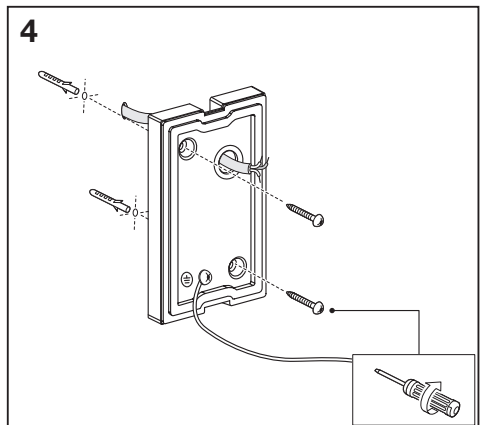
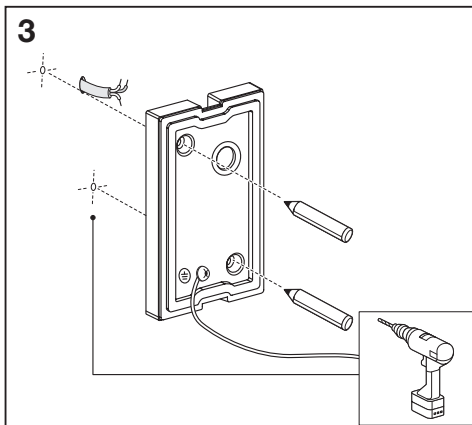
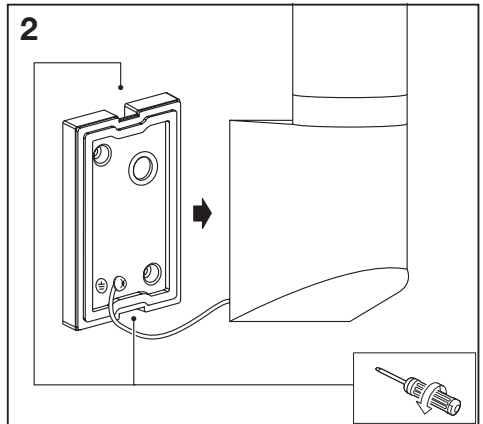
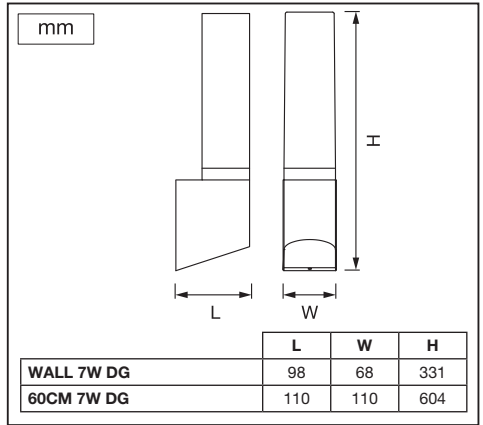
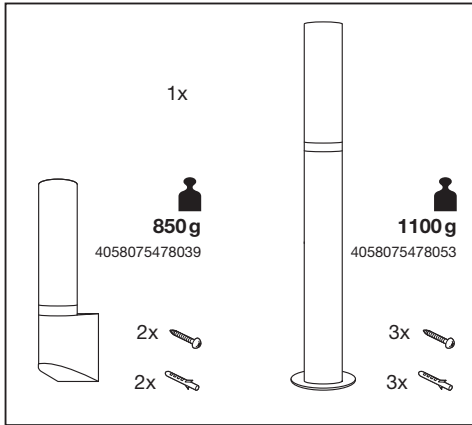

---

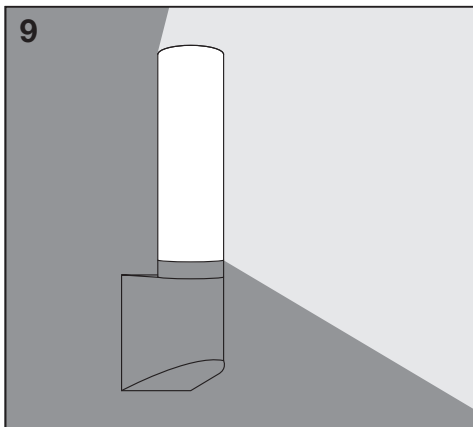
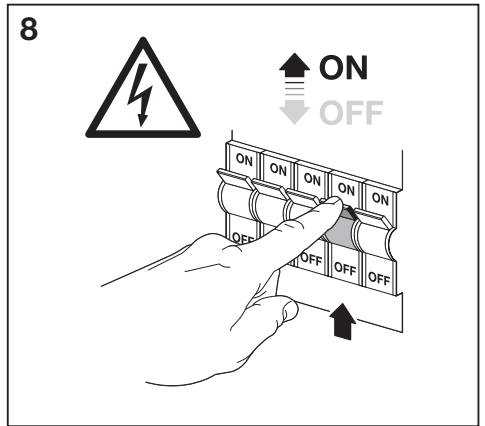
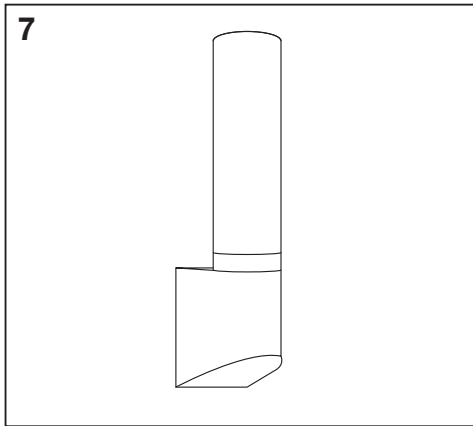
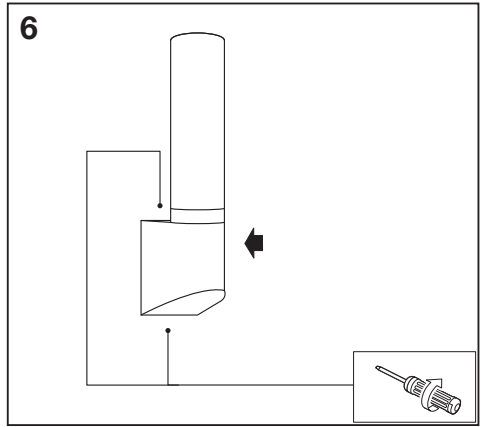
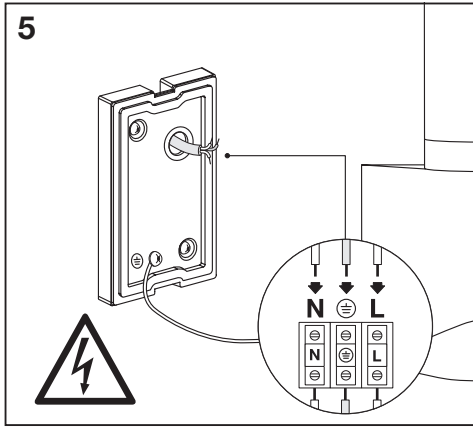


---



	EAN	W	lm	K	°C	V~	mA	Hz	PF
ENDURA STYLE LANTERNFLAREWALL 7WDG	4058075478039	7	470	3000	-20...+40	220-240	30	50/60	>0.5
ENDURA STYLE LANTERNFLARE60CM 7WDG	4058075478053	7	470	3000	-20...+40	220-240	30	50/60	>0.5







**CE** **EAC**



**IP44 RoHS**

C10449057  
G11100696  
14.07.2020



**LEDVANCE GmbH**  
Steinerne Furt 62  
86167 Augsburg, Germany  
[www.ledvance.com](http://www.ledvance.com)