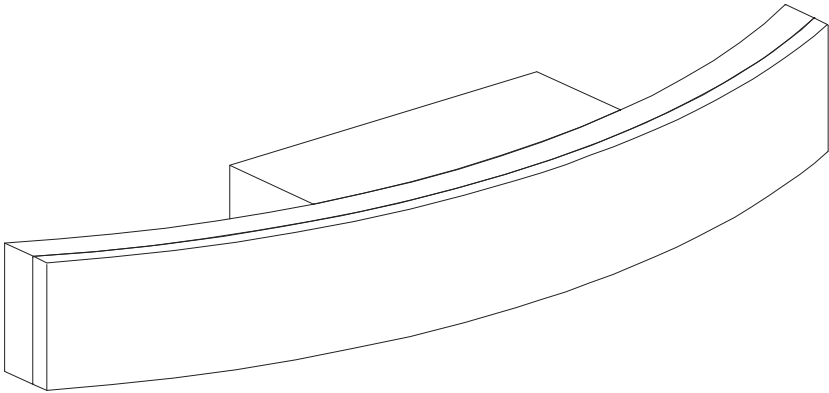
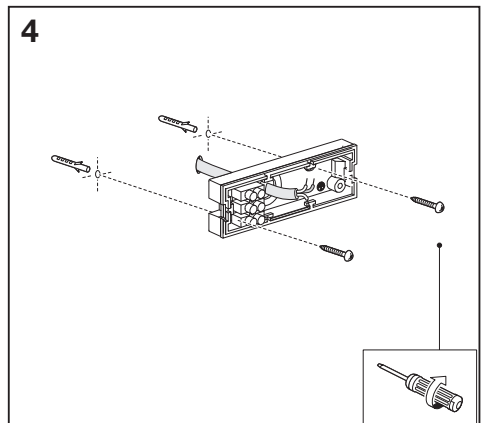
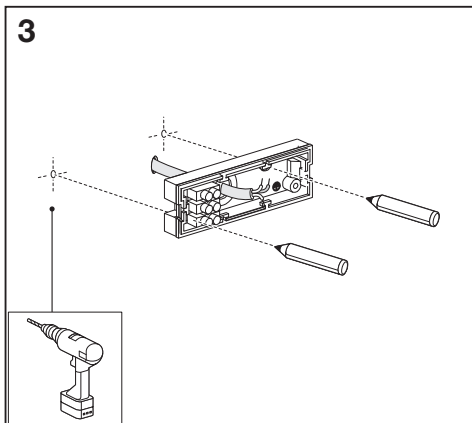
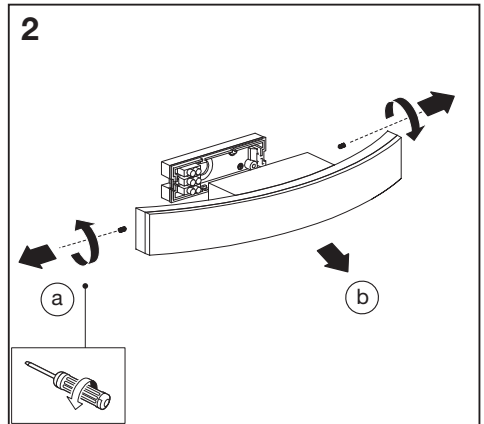
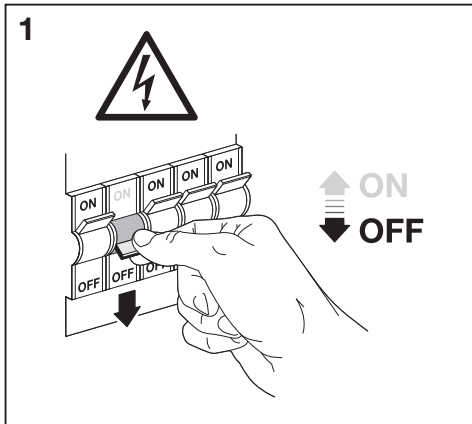
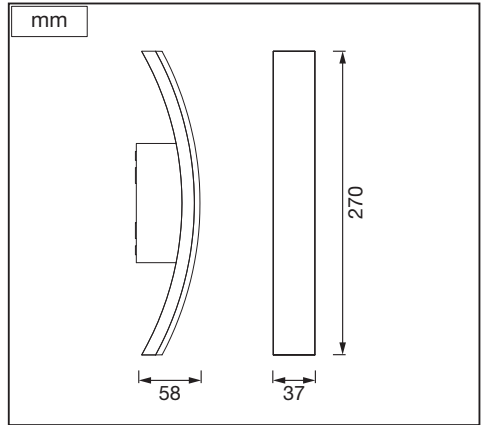
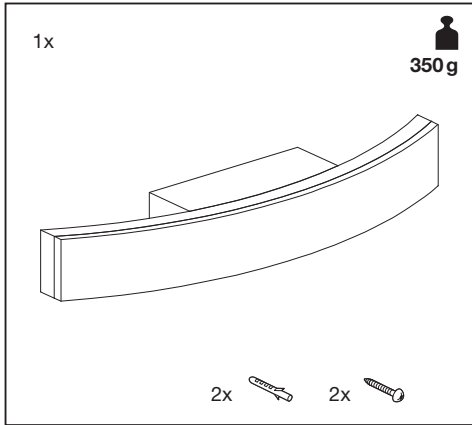
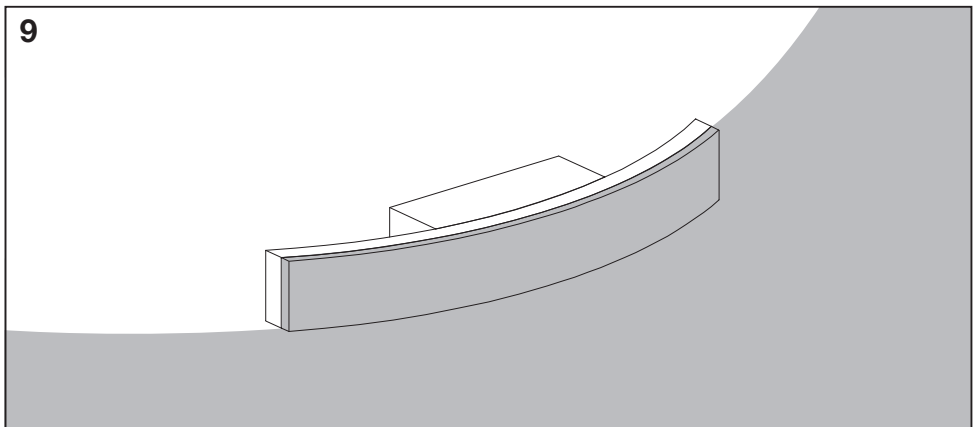
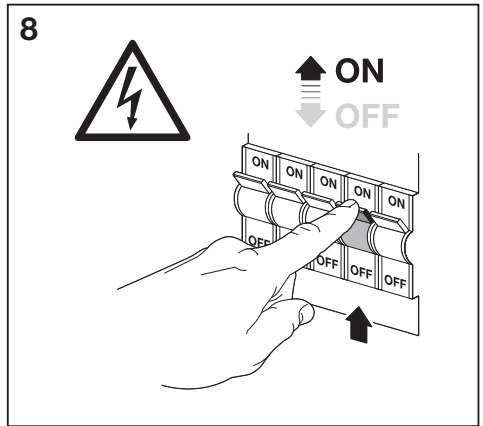
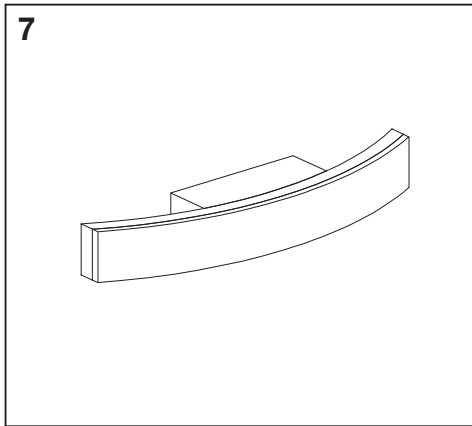
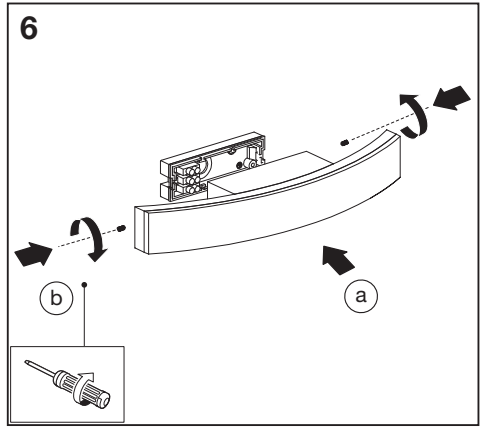
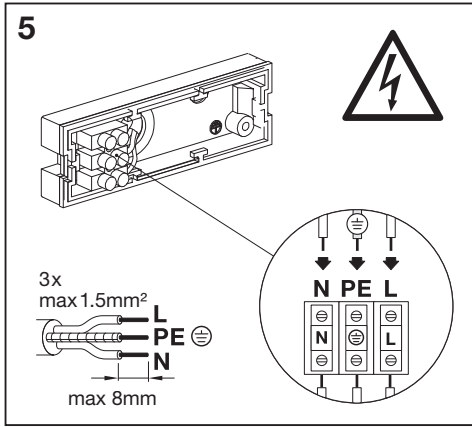


ENDURA® STYLE



	EAN	W	lm	K	⊘ (°C)	V~	mA	Hz	PF	IP
ENDURA STYLE BOW WALL DG	4058075564589	7	280	3000	-20...+40	220-240	35	50/60	>0.5	54





	EAN	This product contains a light source of energy efficiency class	Contained Light Source
ENDURA STYLE BOW WALL DG	4058075564589	E	

CE UK EAC
CA



C10449057
G11111398
06.05.2021



LEDVANCE GmbH
Steinerne Furt 62
86167 Augsburg, Germany
www.ledvance.com