

PRODUCT DATASHEET

PANAN CLIP SQUARE WHITE

PANAN CLIP SQUARE | Mobile table luminaire with continuous dimming and clip fixture



Areas of application

- Bedrooms, study rooms
- Living rooms
- For indoor use only

Product benefits

- Attractive and functional design
- Can easily be moved to where light is needed thanks to battery operation
- Clip mechanism to easily fix the luminaire to various types of furniture
- Bendable luminaire neck for free orientation of light source
- Switching and stepless dimming via a touch sensitive sensor on the luminaire base

Product features

- Color temperature: 4,000 K
- Selectable light intensity via touch switch
- Can be folded and bend to 180° for maximum flexibility

TECHNICAL DATA

Electrical data

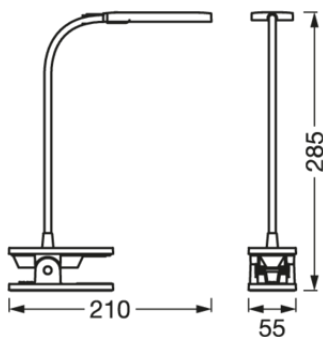
Nominal wattage	5.20 W
Nominal voltage	5 V
Nominal current	1000.000 mA
Inrush current	430 mA
Inrush current time T_{h50}	430 μ s
Protection class	III

Photometrical data

Luminous flux	80 lm
Luminous efficacy	15 lm/W
Color temperature	4000 K
Light color (designation)	Cool White
Color rendering index Ra	≥ 90
Standard deviation of color matching	≤ 6 sdcn
Photobiological safety group acc. to EN62778	RG0
Photobiological safety group acc. to EN62471	RG0
Beam angle	100 °

Dimensions & Weight

Length	210.00 mm
Width	55.00 mm
Height	285.00 mm
Product weight	210.00 g



Materials & Colors

Product color	White
---------------	-------

Housing color	White
Body material	Acrylonitrile butadiene styrene (ABS)
Cover material	Acrylonitrile butadiene styrene (ABS)

Application & Mounting

Ambient temperature range	-20...+40 °C
Type of connection	Plug type C (EU)
Type of protection	IP20
Dimmable	Yes
Type of dimming	Push DIM
Mounting type	Surface
Application environment	Indoor
Adjustable	Yes
LED module replaceable	Not replaceable
With light source	Yes

Lifespan

Lifespan L70/B50 at 25 °C	15000 h
Number of switching cycles	7000



Certificates & Standards

Standards	CE / UKCA
Ball shot safe	No

EQUIPMENT / ACCESSORIES

- USB charging cable

DOWNLOAD DATA

DOWNLOAD DATA	
	User instruction
	Declarations of conformity

LOGISTICAL DATA

Product code	Packaging unit (Pieces/Unit)	Dimensions (length x width x height)	Gross weight	Volume
4058075747883	Folding box 1	73 mm x 98 mm x 152 mm	240.00 g	1.09 dm ³

Product code	Packaging unit (Pieces/Unit)	Dimensions (length x width x height)	Gross weight	Volume
4058075747890	Shipping box 40	417 mm x 387 mm x 335 mm	10255.00 g	54.06 dm ³

The mentioned product code describes the smallest quantity unit which can be ordered. One shipping unit can contain one or more single products. When placing an order, for the quantity please enter single or multiples of a shipping unit.

DISCLAIMER

Subject to change without notice. Errors and omission excepted. Always make sure to use the most recent release.