

PRODUCT DATASHEET

SMART+ ORBIS Ultra Slim Backlight Black 235mm RGB + TW

Smart+ Orbis Ceiling | Smart decorative ceiling with main and backlight TW RGB and dimmable



Areas of application

- Indoor applications
- Kitchens, living rooms, children's rooms or home offices

Product benefits

- Easy and quick installation
- Main light and back light
- Both light are independent
- TW and RGB

Product features

- Controllable via LEDVANCE SMART+ WiFi App (with minimum Android™ 4.4 or iOS 10.0)
- Controllable via voice control available: Google Assistant or Amazon Alexa
- Dimmable
- Network protocol: WiFi



TECHNICAL DATA

Electrical data

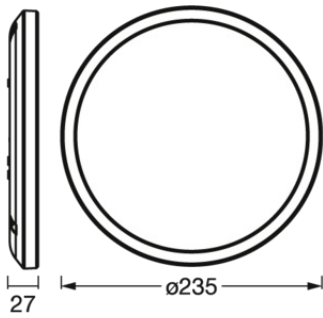
Nominal wattage	19.00 W
Nominal voltage	220...240 V
Mains frequency	50...60 Hz
Nominal current	70.000 mA
Inrush current	15 A
Inrush current time T_{h50}	300 μ s
Max. no. of lum. on circuit break. B16 A	15
Max. no. of lum. on circuit break. C16 A	24
Power factor λ	> 0.90
Total harmonic distortion	< 30 %
Protection class	II

Photometrical data

Luminous flux	1070 lm
Total luminous flux of contained light sources	1790 lm
Luminous efficacy	56 lm/W
Color temperature	2700...6500 K
Light color (designation)	Tunable White / RGB
Color rendering index Ra	\geq 80
Standard deviation of color matching	\leq 6 sdcM
Flickering metric (Pst LM)	-
Stroboscope effect metric (SVM)	-
Photobiological safety group acc. to EN62778	RG0
Photobiological safety group acc. to EN62471	RG0
Beam angle	110 °
UGR	< 25

Dimensions & Weight

Diameter	235.00 mm
Height	27.00 mm
Product weight	460.00 g



Materials & Colors

Product color	Black
Housing color	Black
Body material	Plastic
Glow Wire Test according to IEC 60695-2-12	650 °C
Mercury content	0.0 mg

Application & Mounting

Ambient temperature range	-20...+40 °C
Type of connection	Terminal, 2-pin
Type of protection	IP20
Dimmable	Yes
Type of dimming	WiFi
Mounting type	Surface
Application environment	Indoor
LED module replaceable	Not replaceable

Lifespan

Lifespan L70/B50 at 25 °C	50000 h
Number of switching cycles	15000

Certificates & Standards

Standards	CE / UKCA
Ball shot safe	No




Additional product data

Product remark	Reset settings to default by switching the product on for three seconds and off for three seconds and repeating this five times.
Number of illuminants	1

EQUIPMENT / ACCESSORIES

- Mounting bracket included
- Mounting screws and dowels included
- Control via app or voice control requires compatible Smart home system
- For control via LEDVANCE SMART + WiFi App, a smart phone or Tablet PC is required

DOWNLOAD DATA

DOWNLOAD DATA	
	User instruction
	Declarations of conformity
	Installation guide

LOGISTICAL DATA

Product code	Packaging unit (Pieces/Unit)	Dimensions (length x width x height)	Gross weight	Volume
4058075752788	Folding box 1	52 mm x 241 mm x 263 mm	547.00 g	3.30 dm ³
4058075752795	Shipping box 5	275 mm x 252 mm x 279 mm	3175.00 g	19.33 dm ³

The mentioned product code describes the smallest quantity unit which can be ordered. One shipping unit can contain one or more single products. When placing an order, for the quantity please enter single or multiples of a shipping unit.

DISCLAIMER

Subject to change without notice. Errors and omission excepted. Always make sure to use the most recent release.