

PRODUCT DATASHEET

DECOR TOKIO WALL

Decor Tokio | Decorative luminaires with led integrated



Areas of application

- Corridors
- Entrance areas
- Living rooms
- Bedrooms
- Offices

Product benefits

- Elegant design
- Japanese design

Product features

- 3000 K
- Housing material: metal
- Decorative Luminaire

TECHNICAL DATA

Electrical data

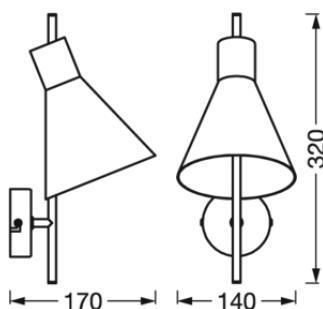
Nominal wattage	5.00 W
Nominal voltage	220...240 V
Mains frequency	50...60 Hz
Nominal current	25.000 mA
Inrush current time T_{h50}	1900 μ s
Max. no. of lum. on circuit break. B16 A	172
Max. no. of lum. on circuit break. C16 A	172
Power factor λ	≥ 0.5
Total harmonic distortion	< 70 %
Protection class	II

Photometrical data

Luminous flux	300 lm
Total luminous flux of contained light sources	420 lm
Luminous efficacy	60 lm/W
Color temperature	3000 K
Light color (designation)	Warm White
Color rendering index Ra	> 80
Standard deviation of color matching	6 sdcn
Flickering metric (Pst LM)	-
Stroboscope effect metric (SVM)	-
Photobiological safety group acc. to EN62778	RG1

Dimensions & Weight

Length	170.00 mm
Width	140.00 mm
Height	320.00 mm
Product weight	490.00 g



Materials & Colors

Product color	Black
Housing color	Black
Body material	Steel
Glow Wire Test according to IEC 60695-2-12	650 °C
Mercury content	0.0 mg

Application & Mounting

Ambient temperature range	-20...+40 °C
Type of connection	Terminal, 2-Pole (L, N)
Type of protection	IP20
Dimmable	No
Mounting type	Surface
Application environment	Indoor
LED module replaceable	Not replaceable

Lifespan

Lifespan L70/B50 at 25 °C	30000 h
Number of switching cycles	30000

Certificates & Standards

Standards	CE / UKCA
Ball shot safe	No

EQUIPMENT / ACCESSORIES

- Complete mounting and connecting accessories included

DOWNLOAD DATA

DOWNLOAD DATA



User instruction

LOGISTICAL DATA

Product code	Packaging unit (Pieces/Unit)	Dimensions (length x width x height)	Gross weight	Volume
4058075757028	Folding box 1	162 mm x 188 mm x 383 mm	650.00 g	11.66 dm ³

Product code	Packaging unit (Pieces/Unit)	Dimensions (length x width x height)	Gross weight	Volume
4058075757035	Shipping box 4	397 mm x 333 mm x 408 mm	3311.00 g	53.94 dm ³

The mentioned product code describes the smallest quantity unit which can be ordered. One shipping unit can contain one or more single products. When placing an order, for the quantity please enter single or multiples of a shipping unit.

DISCLAIMER

Subject to change without notice. Errors and omission excepted. Always make sure to use the most recent release.