

Hanging lamp UNICORN 1xE27



Categories: [INDOOR LIGHTING \ SUSPENDED LAMPS](#); [INDOOR LIGHTING \ KID'S LIGHTING](#)



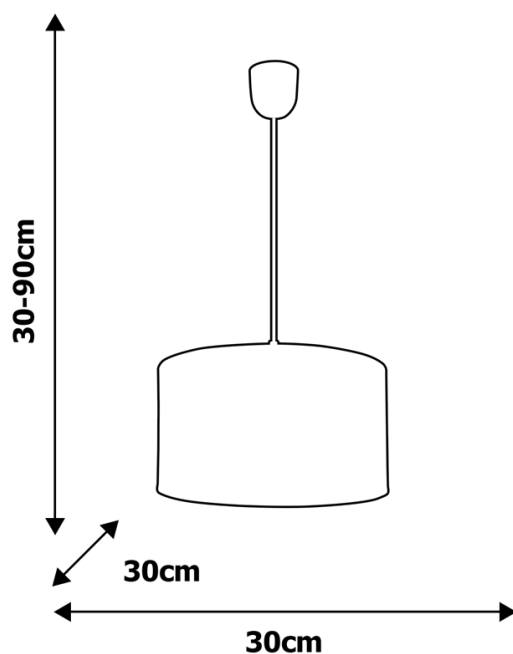
www.eko-light.com

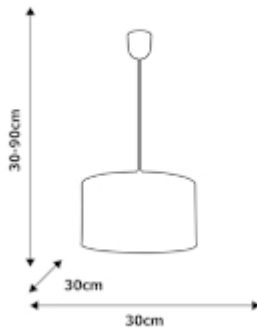
SIGNS

Bar code
5902693749417
Symbol
MLP4941

LOGISTICS

Base unit
pcs
VAT
23%





CHARACTERISTICS

Width: [300mm](#)

Depth: [300mm](#)

Adjustable height: [500-900mm](#)

Height of the shade: [20cm](#)

SHADE WIDTH: [25cm](#)

Power: [1xE27 60W](#)

Source of light: [NOT](#)

Voltage: [~ 230V / 50Hz](#)

THREAD: [E27](#)

Ingress Protection (IP): [IP20](#)

Number of arms: [1](#)

Color: [Multicolored](#)

Made of: [metal. PVC](#)

Net weight: [0.37kg](#)

Gross weight: [0.70kg](#)

Width of packaging: [37](#)

Depth of packaging: [38](#)

Height of packaging: [22](#)

Quantity in gross packaging: [1.0000](#)

PACKAGE CATEGORY: [Corrugated cardboard](#)

CATEGORY IN THE PACKAGE: [Foil](#)

Producer: [Eco-Light](#)

Brand: [Milagro](#)

DESCRIPTION

The UNICORN collection for children is a series of lamps in various configurations. Among them, we can find ceiling lamps with one and three points of light on the strip, with three separate lampshades and hanging from the strip. In addition, the hanging lamps have the possibility of adjusting the height of the overhang, so they can be adapted to interiors of different heights. The distinguishing element of the products in this series are multicolored lampshades with a unicorn motif in pastel colors, which will certainly be of interest to enthusiasts of these fairy-tale creatures.

The products are covered by a 2-year warranty, under which free warranty services are provided. After the expiry of the above-mentioned period, it is possible to use a specialized company website.