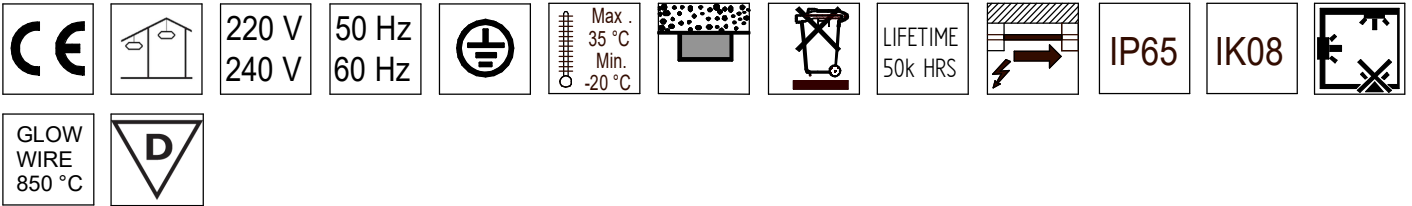
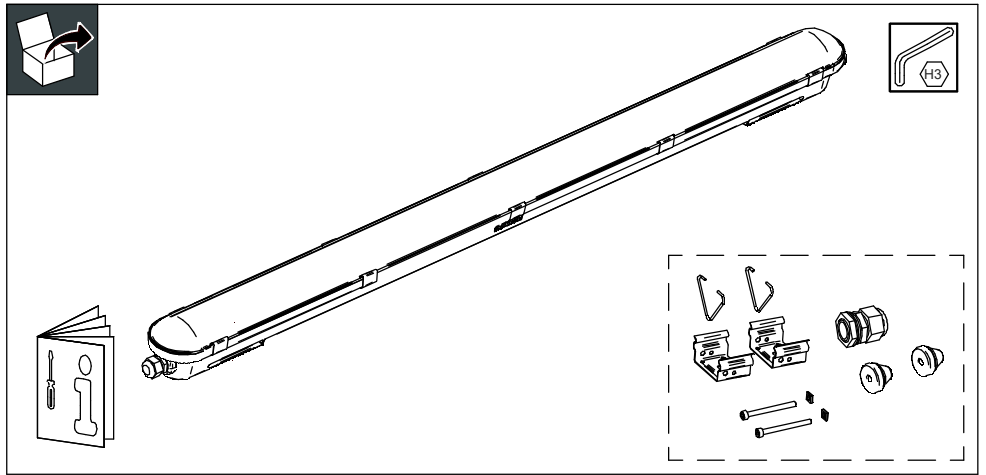


PHILIPS

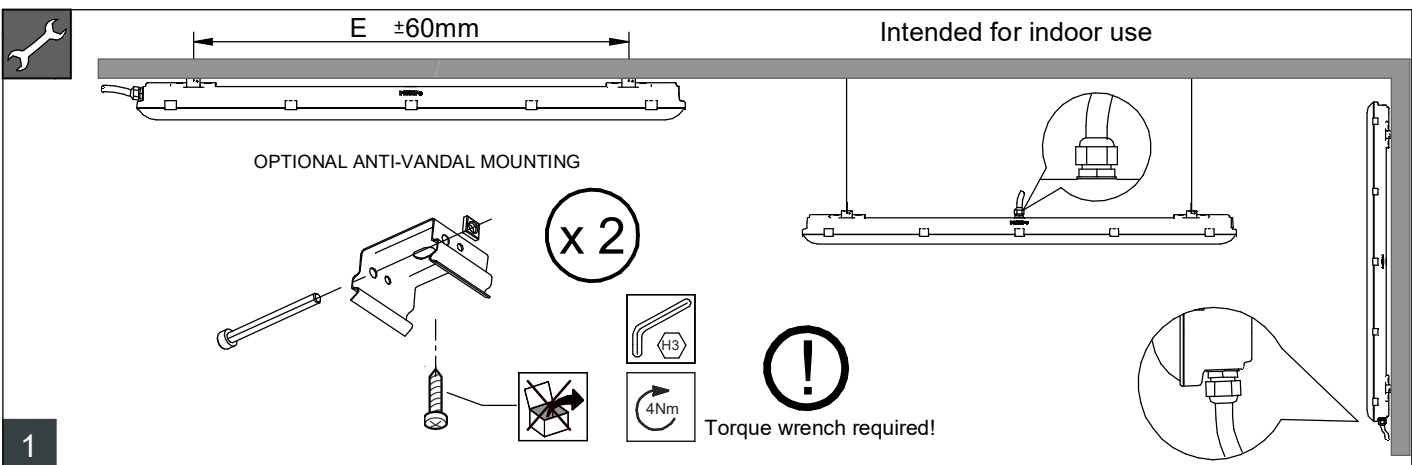
CoreLine
Waterproof

WT120C



| | System light output (Lm) | Color temperature (K) | |
|-----------------------------|--------------------------|-----------------------|------|
| WT120C LED18S/840 PSU L600 | 2100 | 4000 | 0,93 |
| WT120C LED22S/840 PSU L1200 | 2900 | 4000 | 1,53 |
| WT120C LED40S/840 PSU L1200 | 4100 | 4000 | 1,53 |
| WT120C LED34S/840 PSU L1500 | 3500 | 4000 | 1,82 |
| WT120C LED60S/840 PSU L1500 | 6000 | 4000 | 1,82 |
| WT120C LED80S/840 PSU L1500 | 8000 | 4000 | 1,82 |

| Type | Dimension (mm) | | | | | | Nr. of clips |
|---------------------|----------------|------|----|----|------|----|--------------|
| | A | B | C | D | E | F | |
| WT120C LED18S L600 | 82 | 661 | 87 | 38 | 388 | 96 | 6 |
| WT120C LED22S L1200 | | 1250 | | | 960 | | 10 |
| WT120C LED40S L1200 | | 1530 | | | 1213 | | 12 |
| WT120C LED34S L1500 | | | | | | | |
| WT120C LED60S L1500 | | | | | | | |
| WT120C LED80S L1500 | | | | | | | |



! Switch off the power supply before installation

45
30 8

0,75-2,5mm²
Ø5-10mm

! 24
2Nm
Torque wrench required!

!

2

THROUGH WIRING

Ø 20mm

!

!

3a

! 24
2Nm
Torque wrench required!

!

3b

CLICK

4

Use only optical sub-assembly that delivered with housing in one box!

!

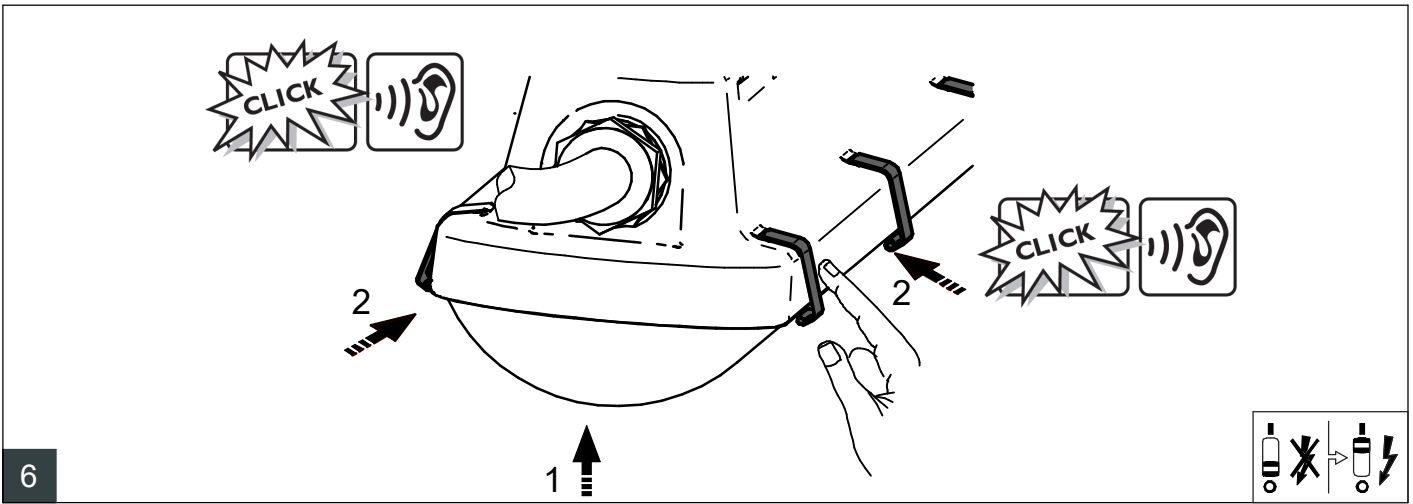
5a

CLICK

5b

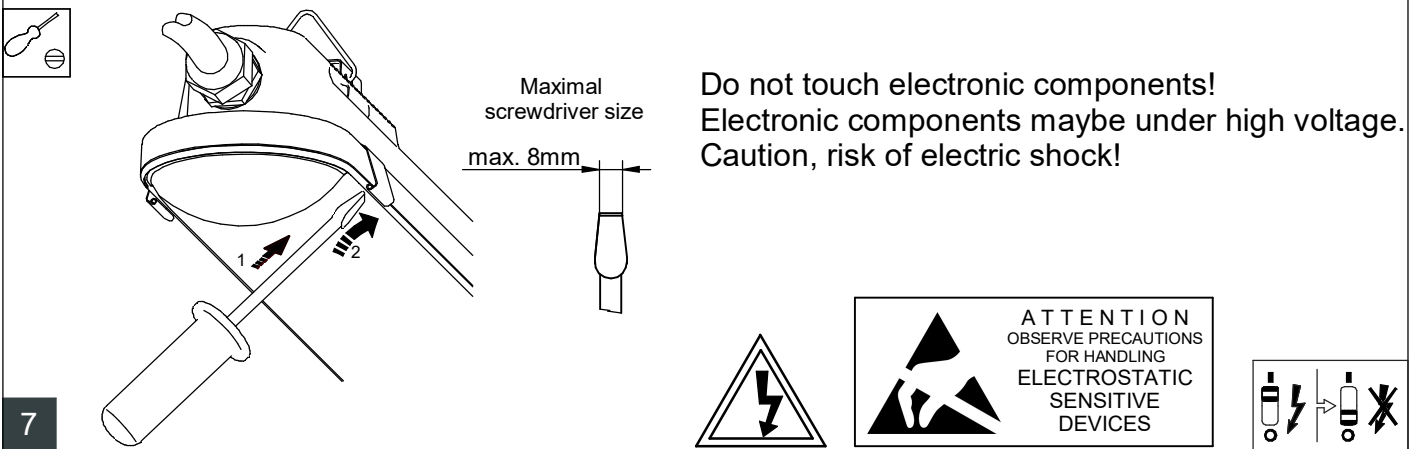
6

Remove protection foil after installation and before usage!

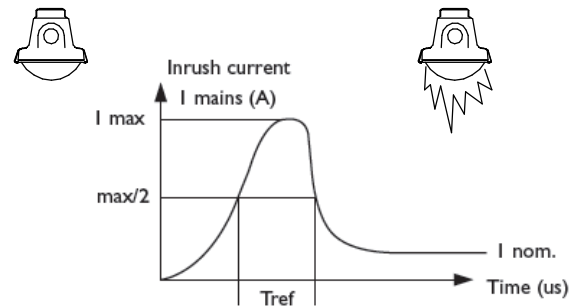


SERVICE (DRIVER REPLACEMENT)

Light source (LED) is non-user replaceable. The light source contained in this luminaire shall only be replaced by the manufacturer or his agent or a similar qualified person.



| | LED18S | LED22S | LED34S | LED40S | LED60S | LED80S |
|---------------------------------|--------|--------|--------|--------|--------|--------|
| I _{peak} [A] | 8 | 8 | 8 | 8 | 8 | 6,02 |
| T _{width} [μs] | 60 | 60 | 60 | 60 | 60 | 62 |
| Max. Nr of products | | | | | | |
| Drivers / MCB 16A type B [max.] | 24 | 24 | 24 | 24 | 24 | 18 |
| Drivers / MCB 10A type B [max.] | 15 | 15 | 15 | 15 | 15 | 11 |
| Drivers / MCB 16A type C [max.] | 40 | 40 | 40 | 40 | 40 | 30 |
| Drivers / MCB 10A type C [max.] | 24 | 24 | 24 | 24 | 24 | 18 |



Maintenance instructions

To assure the lighting quality of this unique LED lighting concept there are only a few instructions regarding the maintenance of this LED luminaire:

- * Do not stare into LED light beam.
- * The luminaire shall be installed by a qualified electrician and wired in accordance with the latest IEE electrical regulations or the national requirements.
- * Above average concentration of sulfur effects the useful lifetime of the product.
E.g: Light color changes from white to blue. Typically in chicken & pig farms.



© 2018 Signify Holding

All rights reserved. This document contains information relating to the product portfolio of Signify which information may be subject to change. No representation or warranty as to the accuracy or completeness of the information included herein is given and any liability for any action in reliance thereon is disclaimed. The information presented in this document is not intended as any commercial offer and does not form part of any quotation or contract. Philips and the Philips Shield Emblem are registered trademarks of Koninklijke Philips N.V.. All other trademarks are owned by Signify Holding or their respective owners.

Signify Holding.
The Netherlands