



MASTER VALUE LEDs pot LV

MASTER LED spot VLE D 5.8-35W MR16 930 36D

Philips MASTER VALUE MR16 is the series of Low Voltage (12VAC) Halogen MR16 replacements. Not only does it employ Philips' patented solution to guarantee the broadest possible compatibility with standard 12V Halogen electronic transformers. It also delivers beam intensity which is equivalent to the 50W Philips Halogen MR16 lamps. The form-factor of Philips MASTER Value LED MR16 guarantees a 100% form on the back-side of the lamp (exact form with Halogen lamps.)

Warnings and Safety

- Operating temperature range is between -20° C and 45° C ambient
- Only to apply in dry or damp locations and most of open fixtures with lamp-holders that offer sufficient space (10 mm free air space)
- Not intended for use with emergency light fixtures or exit lights

Product data

General Information	
Cap-Base	GU5.3 [GU5.3]
EU RoHS compliant	Yes
Nominal Lifetime (Nom)	25000 h
Switching Cycle	50000X

Light Technical	
Color Code	930 [CCT of 3000K]
Beam Angle (Nom)	36 °
Luminous Flux (Nom)	460 lm
Luminous Intensity (Nom)	1300 cd
Color Designation	White (WH)
Correlated Color Temperature (Nom)	3000 K

Luminous Efficacy (rated) (Nom)	79.00 lm/W
Color Consistency	<6
Color Rendering Index (Nom)	90
LLMF At End Of Nominal Lifetime (Nom)	70 %
Luminous Flux in 90° Cone (Rated)	460 lm

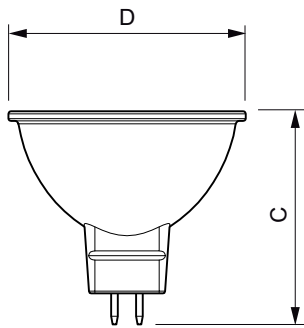
Operating and Electrical	
Input Frequency	- Hz
Power (Nom)	5.8 W
Lamp Current (Nom)	510 mA
Wattage Equivalent	35 W
Starting Time (Nom)	0.5 s
Warm Up Time to 60% Light (Nom)	0.5 s

MASTER VALUE LEDspot LV

Power Factor (Nom)	0.7
Voltage (Nom)	ac electronic 12 V
Temperature	
T-Case Maximum (Nom)	85 °C
Controls and Dimming	
Dimmable	Yes
Mechanical and Housing	
Bulb Shape	MR16 [2inch/50mm]
Approval and Application	
Energy Efficiency Label (EEL)	A+
Suitable For Accent Lighting	Yes

Energy Consumption kWh/1000 h	7 kWh
Product Data	
Full product code	871951430720900
Order product name	MASTER LED spot VLE D 5.8-35W MR16 930 36D
EAN/UPC - Product	8719514307209
Order code	929002492602
Numerator - Quantity Per Pack	1
Numerator - Packs per outer box	10
Material Nr. (12NC)	929002492602
Net Weight (Piece)	0.045 kg

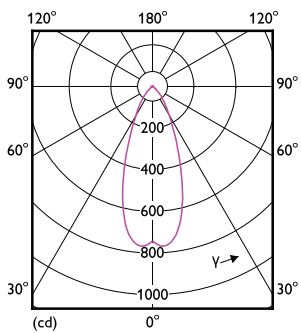
Dimensional drawing



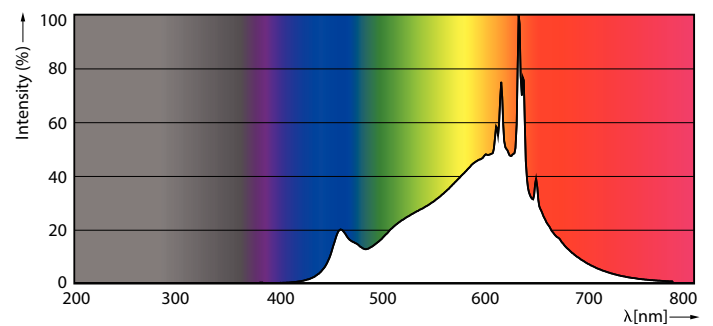
MR16 12V 5.5-35W 460lm 36D 3000K GU5.3 D

Product	D	C
MASTER LED spot VLE D 5.8-35W MR16 930 36D	50.5 mm	45.5 mm

Photometric data



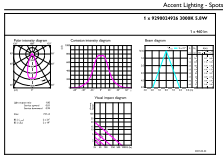
LEDspots MAS 5,8W MR16 GU5,3 930 36D



LEDspots MAS 5,8W MR16 GU5,3 930 36D

MASTER VALUE LEDspot LV

Photometric data



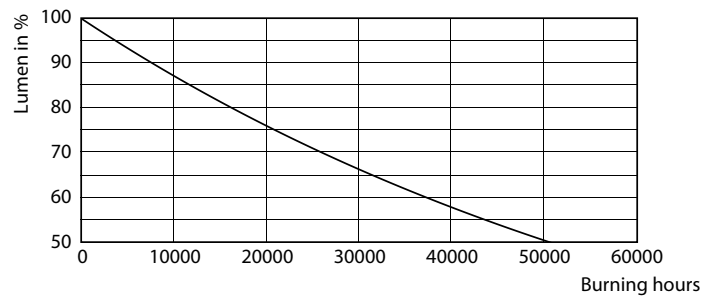
© Koninklijke Philips N.V. Philips Lighting B.V. Page 11

LEDspots MAS 5,8W MR16 GU5,3 930 36D

Lifetime



LEDspots LED 25K



LEDspots LMP 25K

