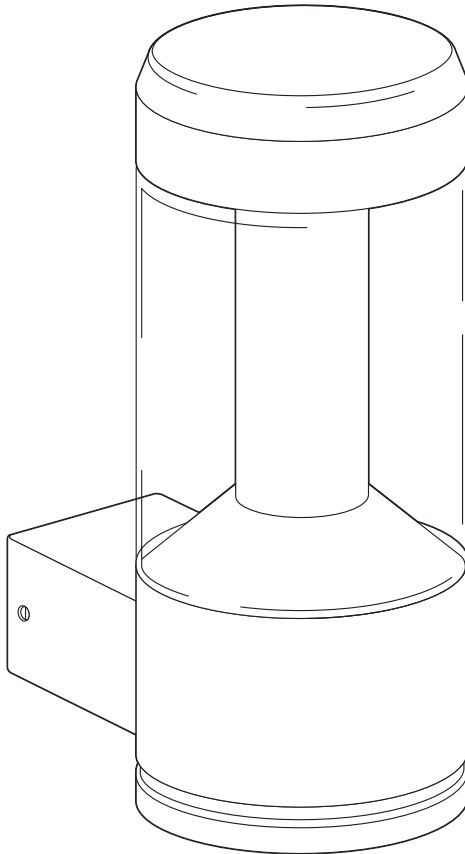

**ENDURA® STYLE
LANTERN MODERN**



	EAN	W	lm	K	°C	V~	mA	Hz	PF
ENDURA® STYLE LANTERN MODERN 12W DG	4058075205017	11.5	610	3000	-20...+40	220-240	95	50/60	>0.5

