



eon

DODIRUJEM TE SVAKODNEVNO,
NAGRAĐUJEŠ ME SVETLOŠĆU I ENERGIJOM, ŽELIM DA TRAJE EON



I TOUCH YOU EVERY DAY,
REQUIRE ME WITH LIGHT AND ENERGY, I WANT THIS TO LAST EON



Od 1984. kvalitet i pouzdanost su glavni prioriteta u kompaniji Aling-Conel. To se podjednako odnosi na proizvode i usluge. Dugogodišnje iskustvo i brojna priznanja omogućila su nam da postanemo regionalni lider i pouzdan partner našim kupcima.

Since 1984, quality and reliability are the top priorities of the company Aling-Conel. This applies equally to products and services. Many years of experience and numerous awards have enabled us to become a regional leader and reliable partner to our customers.



 **ALING-CONEL**



ZAKORAČITE U EON SVET
ENTER THE EON WORLD



Kombinacija geometrijskih formi kruga i kvadrata kao nova estetska dimenzija.

Odabirom EON programa, oplemenićete Vaš prostor posebnim i jedinstvenim proizvodima.

The combination of geometric forms of the circle and the square as a new aesthetic dimension.

Choosing EON program, you will enrich your space with special and unique products

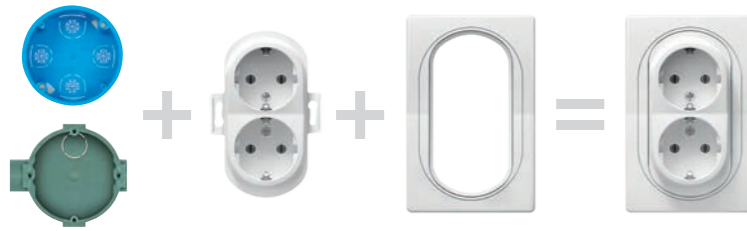
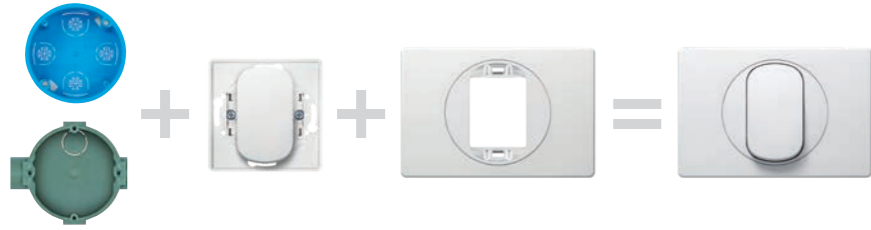
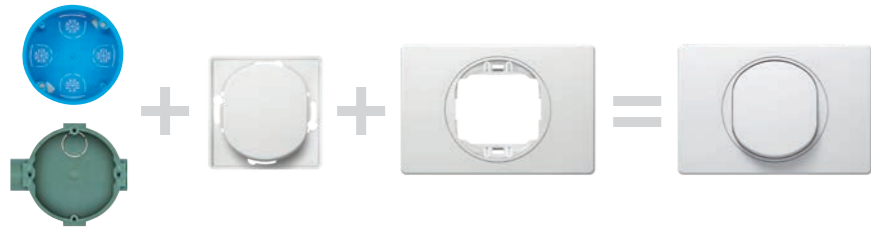
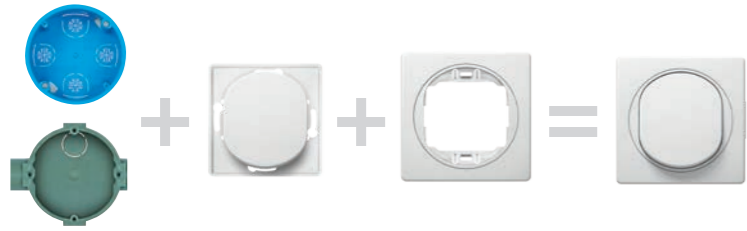


U POTPUNOJ HARMONIJI
SA MODERNIM ZAHTEVIMA DANAŠNJICE
*IN COMPLETE HARMONY
WITH THE MODERN REQUIREMENTS OF TODAY*



ŠIROKA PALETA BOJA OMOGUĆAVA VELIKI BROJ KOMBINACIJA
 WIDE RANGE OF COLORS PROVIDES NUMEROUS COMBINATIONS

MOGUĆNOSTI KOMBINOVANJA
 POSSIBILITY OF COMBINING



BOJA
 TASTERA / BLOKA
 COLOR OF
 BUTTON / BLOCK



x = 0

Bela
 White
 RAL 9003



x = E1

Crna soft
 Soft black
 RAL 7035



x = S

Silver
 Silver



CLASSIC



COLOR



METALLIC



SOFT TOUCH

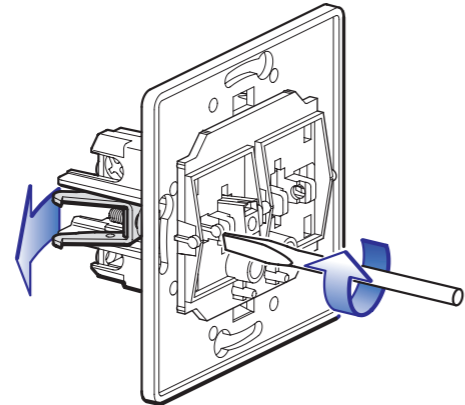


TEHNIČKE PREDNOSTI TECHNICAL ADVANTAGES

BELI PROGRAM SET WHITE PROGRAM SET

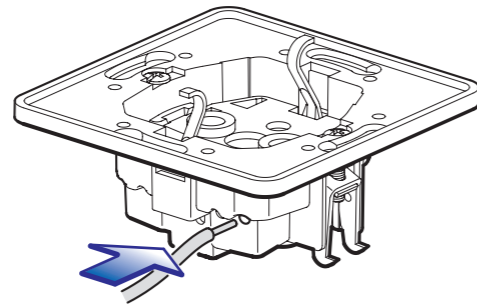
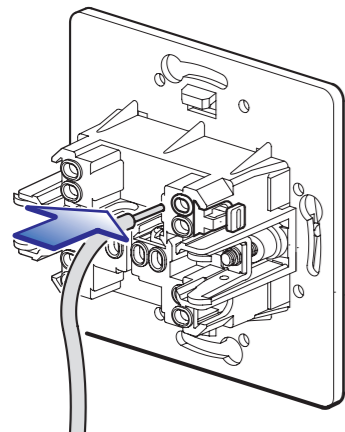


BEZVIJČANA MONTAŽA SCREWLESS INSTALLATION



Ugradnja pomoću stegača je brza i jednostavna zahvaljujući rešenju koje omogućava pritezanje stegačem sa vrlo malo okretaja izvijača i bez potrebe jačeg pritezanja vijka.

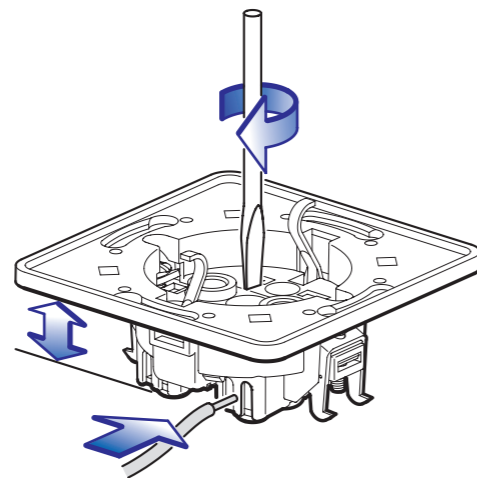
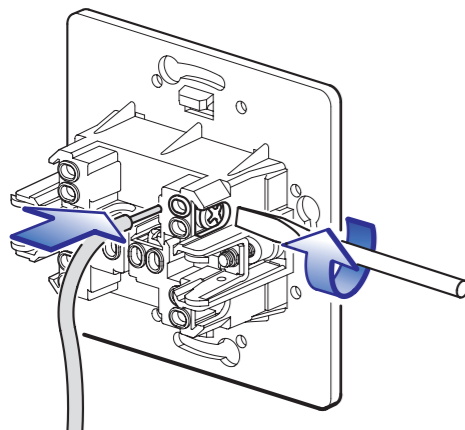
The installation by clamps is quick and simple thanks to the solution that provides tightening by clamps with a few screwdriver turnings only and without any necessity for stronger screw tightening.



Bezvičajni kontakti omogućuju pouzdanu i brzu montažu do dva provodnika preseka 2,5mm², bez upotrebe alata za stezanje.

Screwless contacts are allowing safe and fast installation up to two conductors with diameter 2,5mm², without screwdriver.

VIJČANA MONTAŽA INSTALLATION WITH SCREWS



Priključnica je izrađena tako da zauzima veoma malo prostora u montažnoj kutiji čime se montaža pojednostavljuje zbog većeg prostora za smeštaj provodnika. Priključivanje provodnika je veoma brzo jer je obezbeđeno njegovo postavljanje bez mogućnosti isklizavanja tokom pritezanja.

Socket outlet is made to take a very little space in installation box. Installation is simple because of enough space for conductors. Connecting of wires is fast since there is no possibility of slipping out when tightening.

Pritezanje provodnika obezbeđeno je pouzdanom i sigurnom vijčanom vezom za provodnike preseka do 4 mm². Priključivanje provodnika je veoma brzo jer je obezbeđeno njegovo postavljanje bez mogućnosti isklizavanja tokom pritezanja.

The tightening of conductors is provided by the reliable and safe screw joint for the conductors section to 4 mm². The connecting of conductors is very quick as their setting up is secured without any possibility of slipping out during tightening.



U ponudi programa EON izdvajamo setove proizvoda u beloj boji, dimenzija 80x80mm (mehanizam + dekorativna maska).

Jednostavnost forme i sjajni efekat bele boje čine ovaj set pogodnim za sve prostore.

EON program in white color, dimensions 80x80, is produced as a set (product without decorative frame + decorative frame).

Simplicity of shape and glossy effect of white color makes this set suitable for all spaces.



SKLOPKE SWITCHES

- Usaglašeno sa IEC 60669-1,
- Ugradnja u zid u montažnu kutiju Ø60 pomoću stegača ili vijaka

- Complied with IEC 60669-1,
- Wall mounted into the installation box Ø60 by clamps or screws



E605.00
Sklopka jednapolna
10AX/250V~
*Single-pole switch
10AX/250V~*



E608.00
Sklopka ukrсна
10AX/250V~
*Cross-switch
10AX/250V~*



E6052.00
Sklopka dvopolna
10AX/250V~
*Double-pole switch
10AX/250V~*



E609.00
Taster sklopka za svjetlo
bez indikacije
10AX/250V~
*Light push-button switch
without indication
10AX/250V~*



E606.00
Sklopka serijska
10AX/250V~
*Serial switch
10AX/250V~*



E6091.00
Taster sklopka za svjetlo
sa indikacijom 10AX/250V~
*Light push-button switch
with indication 10AX/250V~*

- Indikacija svetli kada je sklopka isključena
- *Indication turns on when the switch is off*



E607.00
Sklopka naizmjenična
10AX/250V~
*Alternative switch
10AX/250V~*



E610.00
Taster sklopka za zvono
bez indikacije
10AX/250V~
*Bell push-button switch
without indication
10AX/250V~*



E6072.00
Sklopka naizmjenična
dvostruka 10AX/250V~
*Alternative switch
double 10AX/250V~*



E6101.00
Taster sklopka za zvono
sa indikacijom 10AX/250V~
*Bell push-button switch
with indication 10AX/250V~*

- Indikacija svetli kada je sklopka isključena
- *Indication turns on when the switch is off*



E6075.00
Taster sklopka za roletne
10AX 250V~
*Push-button shutters switch
10AX 250V~*

- Upravljanje kretanjem elektromotora za roletne u dva smjera
- *Control of shutters' electric motor movement in two directions*



E6095.00
Taster sklopka kartična
EON 10A 250V~
*Push-button card switch
EON 10A 250V~*



E6090.00
Taster sklopka
10AX/250V~
*Push-button switch
10AX/250V~*



E625.00
Sklopka jednapolna
sa indikacijom 10AX/250V~
*Single-pole switch
with indication 10AX/250V~*

- Indikacija svetli kada je sklopka isključena
- *Indication turns on when the switch is off*



E626.00
Sklopka serijska
sa indikacijom 10AX/250V~
*Serial switch
with indication 10AX/250V~*

- Indikacija svetli kada je sklopka isključena
- *Indication turns on when the switch is off*



E627.00
Sklopka naizmjenična
sa indikacijom 10AX/250V~
*Alternative switch
with indication 10AX/250V~*

- Indikacija svetli kada je strujno kolo otvoreno
- *Indication turns on when the circuit is open*



E628.00
Sklopka ukrсна
sa indikacijom 10AX/250V~
*Cross switch
with indication 10AX/250V~*

- Indikacija svetli kada je strujno kolo otvoreno
- *Indication turns on when the circuit is open*



E619.00
Sklopka jednapolna
sa indikacijom 16AX/250V~
*Single-pole switch
with indication 16AX/250V~*

- Indikacija svetli kada je sklopka isključena
- *Indication turns on when the switch is off*



E6191.00
Sklopka jednapolna
indikatorska 16AX/250V~
*Single-pole switch
with indication 16AX/250V~*

- Indikacija svetli kada je sklopka uključena
- *Indication turns on when the switch is on*

- Usaglašeno sa IEC 60884-1,
- Ugradnja u zid u montažnu kutiju Ø60 pomoću stegača ili vijaka
- Complied with IEC 60884-1,
- Wall mounted into the installation box Ø60 by clamps or screws



E617.00

Regulator jačine svetlosti sa naizmjeničnom sklopkom 40-400VA, 230V~/50Hz

Dimmer with alternative switch 40-400VA, 230V~/50Hz

- Za sijalice sa užarenim vlaknom i halogene sijalice sa standardnim transformatorom,
- Usaglašeno sa IEC 60669-2-1
- Ugradnja u zid u montažnu kutiju Ø60 pomoću stegača ili vijaka

- For incandescent filament lamps and halogen lamps with standard transformer
- Complied with IEC 60669-2-1
- Wall mounted into the installation box Ø60 by clamps or screws



E600.00

Priključnica dvopolna 16A/250V- sa porcelanskim jezgrom

Double-pole socket outlet 16A/250V- with porcelain insert



E603.00

Priključnica dvopolna sa poklopcem 16A/250V- sa porcelanskim jezgrom

Double-pole socket outlet with cover 16A/250V- with porcelain insert



E6173.00

Regulator jačine svetlosti sa rotacionom jednopolnom sklopkom 40-400VA, 230V~/50Hz

Dimmer with rotary single-pole switch 40-400VA, 230V~/50Hz

- Za sijalice sa užarenim vlaknom i halogene sijalice sa standardnim transformatorom,
- Usaglašeno sa IEC 60669-2-1
- Ugradnja u zid u montažnu kutiju Ø60 pomoću stegača ili vijaka

- For incandescent filament lamps and halogen lamps with standard transformer
- Complied with IEC 60669-2-1
- Wall mounted into the installation box Ø60 by clamps or screws



E601.00

Priključnica dvopolna 16A/250V- sa porcelanskim jezgrom i zaštitom kontakta

Double-pole socket outlet 16A/250V- with porcelain insert and touch protection



E633.00

Priključnica dvopolna sa poklopcem 16A/250V- sa polikarbonatskim jezgrom

Double-pole socket outlet with cover 16A/250V- with polycarbonate insert



E6175.00

Regulator jačine svetlosti za LED, 100W

Dimmer for LED, 100W

- Univerzalni elektronski regulator za sve vrste sijalica;
- Osnovna namena za CFL i LED dimabilne sijalice 0-100W;
- Usaglašeno sa IEC 60669-2-1

- Universal dimmer for all types of bulbs;
- The main purpose for dimmable CFL and LED bulbs 0-100W;
- Complied with IEC 60669-2-1



E630.00

Priključnica dvopolna 16A/250V- sa polikarbonatskim jezgrom

Double-pole socket outlet 16A/250V- with polycarbonate insert



E604.00

Priključnica dvopolna dupla 16A/250V- sa polikarbonatskim jezgrom

Double-pole socket outlet 16A/250V- dual with polycarbonate insert

- Nema mogućnost ugradnje u višestruke maske
- No possibility of mounting into multi-gang masks





KOMUNIKACIJE COMMUNICATIONS

- Usaglašeno sa IEC 60603-7.
- Ugradnja u zid u montažnu kutiju Ø60 pomoću stegača ili vijaka
- Complied with IEC 60603-7.
- Wall mounted into the installation box Ø60 by clamps or screws



E6161.00

USB punjač 2xUSB
2,1A 5V=
2xUSB charger
2,1A 5V=

- Za punjenje elektronskih uređaja putem standardnog USB porta;
- Punjenje dva uređaja istovremeno;
- Usaglašeno sa EN 60950-1 i EMC direktivom;
- Ugradnja u zid u montažnu kutiju Ø60 pomoću stegača ili vijaka
- For charging of electronic devises via standard USB port;
- Enables charging of two devices simultaneously;
- Complied with EN 60950-1 and EMC directive;
- Wall mounted into the installation box Ø60 by clamps or screws



E613.00

Priključnica telefonska dvostruka sa Keystone modulima 2xRJ12 6/4 Cat 3
Double telephone socket with Keystone modules 2xRJ12 6/4 Cat 3



E6131.00

Priključnica telefonska dvostruka sa Keystone modulima 2xRJ 12 6/6 Cat 3
Double telephone socket with Keystone modules 2xRJ12 6/6 Cat 3

- Montaža provodnika bez upotrebe alata
- Tool - less conducting wire installation



E6162.00

Priključnica USB/USB Keystone
USB/USB socket
Keystone

- Za konekciju USB uređaja i kablova (nije punjač);
- Podržava USB 2.0 standard;
- Ugradnja u zid u montažnu kutiju Ø60 pomoću stegača ili vijaka
- For connection of USB devices and cables (not charging unit);
- Supports USB 2.0 standard;
- Wall mounted into the installation box Ø60 by clamps or screws



E614.00

Priključnica komunikacijska dvostruka sa Keystone modulima 2xRJ45 Cat 5e UTP
Double data socket with Keystone modules 2xRJ45 Cat 5e UTP

- Montaža provodnika bez upotrebe alata
- Spajanje prema TIA/EIA-568A ili 568B standardu za raspored parica
- Tool - less conducting wire installation
- Wiring according to TIA/EIA-568A or 568B standard for the arrangement of pairs



E614S.00

Priključnica komunikacijska dvostruka sa Keystone modulima 2xRJ45 Cat 5e FTP
Double data socket with Keystone modules 2xRJ45 Cat 5e FTP (shielded)

- Montaža provodnika bez upotrebe alata
- Spajanje prema TIA/EIA-568A ili 568B standardu za raspored parica
- Tool - less conducting wire installation
- Wiring according to TIA/EIA-568A or 568B standard for the arrangement of pairs



E6163.00

Priključnica HDMI/HDMI Keystone
HDMI/HDMI socket
Keystone

- Za konekciju kablova za prenos signala preko HDMI priključka;
- Ugradnja u zid u montažnu kutiju Ø60 pomoću stegača ili vijaka
- For the transmission of signal through HDMI connector;
- Wall mounted into the installation box Ø60 by clamps or screws



E615.00

Priključnica komunikacijska dvostruka sa Keystone modulima 2xRJ45 Cat 6 UTP
Double data socket with Keystone modules 2xRJ45 Cat 6 UTP

- Montaža provodnika bez upotrebe alata
- Spajanje prema TIA/EIA-568A ili 568B standardu za raspored parica
- Tool - less conducting wire installation
- Wiring according to TIA/EIA-568A or 568B standard for the arrangement of pairs



E615S.00

Priključnica komunikacijska dvostruka sa Keystone modulima 2xRJ45 Cat 6 FTP
Double data socket with Keystone modules 2xRJ45 Cat 6 FTP (shielded)

- Montaža provodnika bez upotrebe alata
- Spajanje prema TIA/EIA-568A ili 568B standardu za raspored parica
- Tool - less conducting wire installation
- Wiring according to TIA/EIA-568A or 568B standard for the arrangement of pairs



E616.00

Priključnica komunikacijska sa Keystone modulom RJ45 Cat 6A UTP
Data socket with Keystone module RJ45 Cat 6A UTP

- Montaža provodnika bez upotrebe alata
- Spajanje prema TIA/EIA-568A ili 568B standardu za raspored parica
- Tool - less conducting wire installation
- Wiring according to TIA/EIA-568A or 568B standard for the arrangement of pairs



E616S.00

Priključnica komunikacijska sa Keystone modulom RJ45 Cat 6A FTP
Data socket with Keystone module RJ45 Cat 6A FTP (shielded)

- Montaža provodnika bez upotrebe alata
- Spajanje prema TIA/EIA-568A ili 568B standardu za raspored parica
- Tool - less conducting wire installation
- Wiring according to TIA/EIA-568A or 568B standard for the arrangement of pairs

- Usaglašeno sa IEC 60169-2,
- Ugradnja u zid u montažnu kutiju Ø60 pomoću stegača ili vijaka

- Complied with IEC 60169-2,
- Wall mounted into the installation box Ø60 by clamps or screws



E6121.00

Priključnica antenska TV završna za individualne sisteme

TV aerial socket for individual systems

- Muški konektor,
- Odvodno slabljenje signala <1 dB

- Male connector,
- Connection attenuation <1 dB



E612P.00

Priključnica antenska TV/FM prolazna

TV/FM aerial socket transient

- Muški konektor TV, ženski konektor FM,
- Prolazno slabljenje 4 dB, odvodno 6 dB, sprega TV/FM >20 dB

- Male connector TV, female connector FM,
- Throughpass attenuation 4 dB, connection atten. 6 dB, coupling TV/FM >20 dB



E612Z.00

Priključnica antenska TV/FM završna

TV/FM aerial socket terminal

- Muški konektor TV, ženski konektor FM,
- Odvodno slabljenje <2 dB, sprega TV/FM >20 dB

- Male connector TV, female connector FM,
- Connection attenuation <2 dB, coupling attenuation TV/FM >20 dB



E612S.00

Priključnica antenska TV/FM/SAT završna

TV/FM/SAT aerial socket terminal

- Muški konektor TV, ženski konektor FM,
- SAT konektor IEC 60169-24 (F tip),
- Odvodno slabljenje <2 dB, sprega TV/FM >20 dB

- Male connector TV, female connector FM,
- SAT connector IEC 60169-24 (F type),
- Connection attenuation <2 dB, coupling attenuation TV/FM >20 dB



Proizvodi bez maske proizvode se u tri boje: beloj, crnoj soft i silver.

Korisnik je u mogućnosti da kombinuje boje sa dekorativnim maskama po sopstvenoj želji.

Products without decorative frame are produced in three colors: white, soft black and silver.

The user is able to combine color with decorative frames as desired.

- Usaglašeno sa IEC 60669-1,
- Ugradnja u zid u montažnu kutiju Ø60 pomoću stegača ili vijaka

- Complied with IEC 60669-1,
- Wall mounted into the installation box Ø60 by clamps or screws

■ Bela White **x = 0**

■ Crna soft Soft black **x = E1**

■ Silver Silver **x = S**



E605.x
Sklopka jednopolna
10AX/250V~
*Single-pole switch
10AX/250V~*



E6052.x
Sklopka dvopolna
10AX/250V~
*Double-pole switch
10AX/250V~*



E606.x
Sklopka serijska
10AX/250V~
*Serial switch
10AX/250V~*



E607.x
Sklopka naizmjenična
10AX/250V~
*Alternative switch
10AX/250V~*



E6072.x
Sklopka naizmjenična
dvostruka 10AX/250V~
*Alternative switch double
10AX/250V~*



E608.x
Sklopka ukrсна
10AX/250V~
*Cross-switch
10AX/250V~*



E6090.x
Taster sklopka
10AX/250V~
*Push-button switch
10AX/250V~*



E609.x
Taster sklopka za svetlo
bez indikacije
10AX/250V~
*Light push-button switch
without indication
10AX/250V~*



E6091.x
Taster sklopka za svetlo
sa indikacijom 10AX/250V~
*Light push-button switch
with indication 10AX/250V~*

- Indikacija svetli kada je sklopka isključena
- Indication turns on when the switch is off



E610.x
Taster sklopka za zvono
bez indikacije
10AX/250V~
*Bell push-button switch
without indication
10AX/250V~*



E6101.x
Taster sklopka za zvono
sa indikacijom 10AX/250V~
*Bell push-button switch
with indication 10AX/250V~*

- Indikacija svetli kada je sklopka isključena
- Indication turns on when the switch is off



E6075.x
Taster sklopka za roletne
10AX 250V~
*Push-button shutters switch
10AX 250V~*

- Upravljanje kretanjem elektromotora za roletne u dva smera
- Control of shutters' electric motor movement in two directions

- Usaglašeno sa IEC 60669-1,
- Ugradnja u zid u montažnu kutiju Ø60 pomoću stegača ili vijaka

- Complied with IEC 60669-1,
- Wall mounted into the installation box Ø60 by clamps or screws

Bela
White **x = 0**

Crna soft
Soft black **x = E1**

Silver
Silver **x = S**

- Usaglašeno sa IEC 60669-2-1
- Ugradnja u zid u montažnu kutiju Ø60 pomoću stegača ili vijaka

- Complied with IEC 60669-2-1
- Wall mounted into the installation box Ø60 by clamps or screws



E625.x

Sklopka jednopolna sa indikacijom 10AX/250V~
Single-pole switch with indication 10AX/250V~

- Indikacija svetli kada je sklopka isključena
- Indication turns on when the switch is off



E626.x

Sklopka serijska sa indikacijom 10AX/250V~
Serial switch with indication 10AX/250V~

- Indikacija svetli kada je sklopka isključena
- Indication turns on when the switch is off



E627.x

Sklopka naizmjenična sa indikacijom 10AX/250V~
Alternative switch with indication 10AX/250V~

- Indikacija svetli kada je strujno kolo otvoreno
- Indication turns on when the circuit is open



E628.x

Sklopka ukrсна sa indikacijom 10AX/250V~
Cross switch with indication 10AX/250V~

- Indikacija svetli kada je strujno kolo otvoreno
- Indication turns on when the circuit is open



E619.x

Sklopka jednopolna sa indikacijom 16AX/250V~
Single-pole switch with indication 16AX/250V~

- Indikacija svetli kada je strujno kolo otvoreno
- Indication turns on when the circuit is open



E6191.x

Sklopka jednopolna indikatorska 16AX/250V~
Single-pole switch with indication 16AX/250V~

- Indikacija svetli kada je sklopka uključena
- Indication turns on when the switch is on



E617.x

Regulator jačine svetlosti sa naizmjeničnom sklopkom 40-400VA, 230V~/50Hz
Dimmer with alternative switch 40-400VA, 230V~/50Hz

- Za sijalice sa užarenim vlaknom i halogene sijalice sa standardnim transformatorom,
- For incandescent filament lamps and halogen lamps with standard transformer



E6173.x

Regulator jačine svetlosti sa rotacionom jednopolnom sklopkom 40-400VA, 230V~/50Hz
Dimmer with rotary single-pole switch 40-400VA, 230V~/50Hz

- Za sijalice sa užarenim vlaknom i halogene sijalice sa standardnim transformatorom,
- For incandescent filament lamps and halogen lamps with standard transformer



E6175.x

Regulator jačine svetlosti za LED, 100W
Dimmer for LED, 100W

- Univerzalni elektronski regulator za sve vrste sijalica;
- Osnovna namena za CFL i LED dimabilne sijalice 0-100W;
- Universal dimmer for all types of bulbs;
- The main purpose for dimmable CFL and LED bulbs 0-100W;



E6095.x

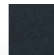
Taster sklopka kartična EON 10A 250V~
Push-button card switch EON 10A 250V~

USKI TASTER NARROW BUTTON

- Usaglašeno sa IEC 60669-1,
- Ugradnja u zid u montažnu kutiju Ø60 pomoću stegača ili vijaka

- Complied with IEC 60669-1,
- Wall mounted into the installation box Ø60 by clamps or screws

 Bela
White **x = 0**

 Crna soft
Soft black **x = E1**

 Silver
Silver **x = S**



E605U.x

Sklopka jednopolna
10AX/250V~
*Single-pole switch
10AX/250V~*



E6052U.x

Sklopka dvopolna
10AX/250V~
*Double-pole switch
10AX/250V~*



E607U.x

Sklopka naizmjenična
10AX/250V~
*Alternative switch
10AX/250V~*



E608U.x

Sklopka ukrсна
10AX/250V~
*Cross-switch
10AX/250V~*



E6090U.x

Taster sklopka
10AX/250V~
*Push-button switch
10AX/250V~*



E609U.x

Taster sklopka za svetlo
bez indikacije
10AX/250V~
*Light push-button switch
without indication
10AX/250V~*



E609IU.x

Taster sklopka za svetlo
sa indikacijom 10AX/250V~
*Light push-button switch
with indication 10AX/250V~*

- Indikacija svetli kada je sklopka isključena
- *Indication turns on when the switch is off*



E610U.x

Taster sklopka za zvono
bez indikacije
10AX/250V~
*Bell push-button switch
without indication
10AX/250V~*



E610IU.x

Taster sklopka za zvono
sa indikacijom 10AX/250V~
*Bell push-button switch
with indication 10AX/250V~*

- Indikacija svetli kada je sklopka isključena
- *Indication turns on when the switch is off*

USKI TASTER NARROW BUTTON

- Usaglašeno sa IEC 60669-1,
- Ugradnja u zid u montažnu kutiju Ø60 pomoću stegača ili vijaka

- Complied with IEC 60669-1,
- Wall mounted into the installation box Ø60 by clamps or screws



E625U.x

Sklopka jednopolna sa indikacijom 10AX/250V~
Single-pole switch with indication 10AX/250V~

- Indikacija svetli kada je sklopka isključena
- Indication turns on when the switch is off



E627U.x

Sklopka naizmjenična sa indikacijom 10AX/250V~
Alternative switch with indication 10AX/250V~

- Indikacija svetli kada je strujno kolo otvoreno
- Indication turns on when the circuit is open



E628U.x

Sklopka ukrсна sa indikacijom 10AX/250V~
Cross switch with indication 10AX/250V~

- Indikacija svetli kada je strujno kolo otvoreno
- Indication turns on when the circuit is open



E619U.x

Sklopka jednopolna sa indikacijom 16AX/250V~
Single-pole switch with indication 16AX/250V~

- Indikacija svetli kada je strujno kolo otvoreno
- Indication turns on when the circuit is open



E6191U.x

Sklopka jednopolna indikatorska 16AX/250V~
Single-pole switch with indication 16AX/250V~

- Indikacija svetli kada je sklopka uključena
- Indication turns on when the switch is on

	Bela White	x = 0
	Crna soft Soft black	x = E1
	Silver Silver	x = S

- Usaglašeno sa IEC 60884-1,
- Ugradnja u zid u montažnu kutiju Ø60 pomoću stegača ili vijaka

- Complied with IEC 60884-1,
- Wall mounted into the installation box Ø60 by clamps or screws



E600.x

Priključnica dvopolna 16A/250V~ sa porcelanskim jezgrom
Double-pole socket outlet 16A/250V~ with porcelain insert



E601.x

Priključnica dvopolna 16A/250V~ sa porcelanskim jezgrom i zaštitom od kontakta
Double-pole socket outlet 16A/250V~ with porcelain insert and touch protection



E630.x

Priključnica dvopolna 16A/250V~ sa polikarbonatskim jezgrom
Double-pole socket outlet 16A/250V~ with polycarbonate insert



603.x

Priključnica dvopolna sa poklopcem 16A/250V~ sa porcelanskim jezgrom
Double-pole socket outlet with cover 16A/250V~ with porcelain insert



E633.x

Priključnica dvopolna sa poklopcem 16A/250V~ sa polikarbonatskim jezgrom
Double-pole socket outlet with cover 16A/250V~ with polycarbonate insert



E604.x

Priključnica dvopolna dupla 16A/250V~ sa polikarbonatskim jezgrom
Double-pole socket outlet 16A/250V~ dual with polycarbonate insert

- Nema mogućnost ugradnje u višestruke maske
- No possibility of mounting into multi-gang masks

- Usaglašeno sa EN 60950-1 i EMC direktivom;
- Ugradnja u zid u montažnu kutiju Ø60 pomoću stegača ili vijaka

- Complied with EN 60950-1 and EMC directive;
- Wall mounted into the installation box Ø60 by clamps or screws



E6161.x

USB punjač 2xUSB 2,1A 5V=
2xUSB charger 2,1A 5V=

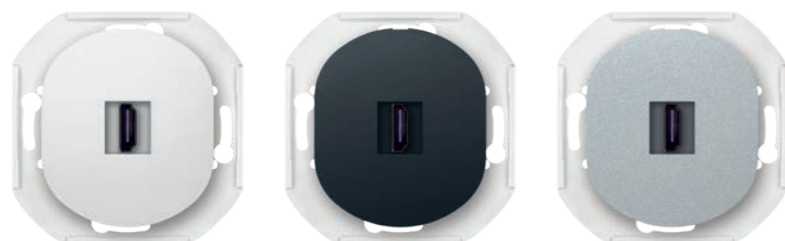
- Za punjenje elektronskih uređaja putem standardnog USB porta;
- Punjenje dva uređaja istovremeno
- For charging of electronic devices via standard USB port;
- Enables charging of two devices simultaneously



E6162.x

Priključnica USB/USB Keystone
USB/USB socket Keystone

- Za konekciju USB uređaja i kablova;
- Podržava USB 2.0 standard;
- For connection of USB devices and cables;
- Supports USB 2.0 standard;



E6163.x

Priključnica HDMI/HDMI Keystone
HDMI/HDMI socket Keystone

- Za konekciju kablova za prenos signala preko HDMI priključka;
- For the transmission of signal through HDMI connector;

- Usaglašeno sa IEC 60603-7;
- Ugradnja u zid u montažnu kutiju Ø60 pomoću stegača ili vijaka

- Complied with IEC 60603-7;
- Wall mounted into the installation box Ø60 by clamps or screws



E613.x

Priključnica telefonska dvostruka sa Keystone modulima 2xRJ12 6/4 Cat 3

Double telephone socket with Keystone modules 2xRJ12 6/4 Cat 3



E6131.x

Priključnica telefonska dvostruka sa Keystone modulima 2xRJ12 6/6 Cat 3

Double telephone socket with Keystone modules 2xRJ12 6/6 Cat 3

- Montaža provodnika bez upotrebe alata
- Toll - less conducting wire installation

- Usaglašeno sa IEC 60603-7;
- Montaža provodnika bez upotrebe alata;
- Spajanje prema TIA/EIA-568A ili 568B standardu za raspored parica;
- Ugradnja u zid u montažnu kutiju Ø60 pomoću stegača ili vijaka

- Complied with IEC 60603-7;
- Toll - less conducting wire installation
- Wiring according to TIA/EIA-568A or 568B standard for the arrangement of pairs
- Wall mounted into the installation box Ø60 by clamps or screws



E614.x

Priključnica komunikacijska dvostruka sa Keystone modulima 2xRJ45 Cat 5e UTP
Double data socket with Keystone modules 2xRJ45 Cat 5e UTP



E614S.x

Priključnica komunikacijska dvostruka sa Keystone modulima 2xRJ45 Cat 5e FTP
Double data socket with Keystone modules 2xRJ45 Cat 5e FTP (shielded)



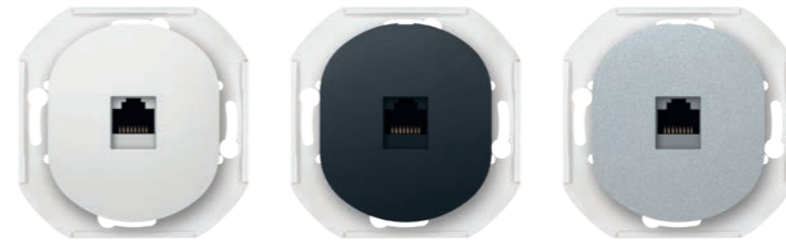
E615.x

Priključnica komunikacijska dvostruka sa Keystone modulima 2xRJ45 Cat 6 UTP
Double data socket with Keystone modules 2xRJ45 Cat 6 UTP



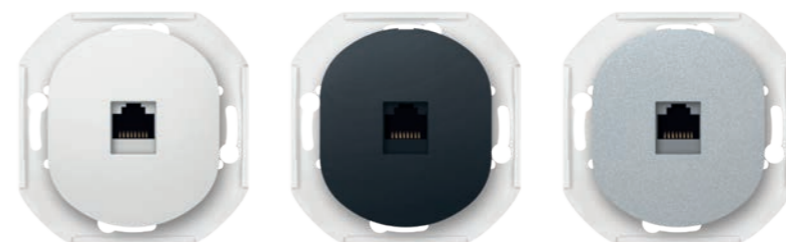
E615S.x

Priključnica komunikacijska dvostruka sa Keystone modulima 2xRJ45 Cat 6 FTP
Double data socket with Keystone modules 2xRJ45 Cat 6 FTP (shielded)



E616.x

Priključnica komunikacijska sa Keystone modulom RJ45 Cat 6A UTP
Data socket with Keystone module RJ45 Cat 6A UTP



E616S.x

Priključnica komunikacijska sa Keystone modulom RJ45 Cat 6A FTP
Data socket with Keystone module RJ45 Cat 6A FTP (shielded)

- Usaglašeno sa IEC 60169-2,
- Ugradnja u zid u montažnu kutiju Ø60 pomoću stegača ili vijaka

- Complied with IEC 60169-2,
- Wall mounted into the installation box Ø60 by clamps or screws



DEKORATIVNE MASKE DECORATIVE FRAMES



E612I.x

Priključnica antenska TV završna za individualne sisteme
TV aerial socket for individual systems

- Muški konektor,
- Odvodno slabljenje signala <1 dB
- Male connector,
- Connection attenuation <1 dB



E612Z.x

Priključnica antenska TV/FM završna
TV/FM aerial socket terminal

- Muški konektor TV, ženski konektor FM,
- Odvodno slabljenje <2 dB, sprega TV/FM >20 dB
- Male connector TV, female connector FM,
- Connection attenuation <2 dB, coupling attenuation TV/FM >20 dB



E612P.x

Priključnica antenska TV/FM prolazna
TV/FM aerial socket transient

- Muški konektor TV, ženski konektor FM,
- Prolazno slabljenje 4 dB, odvodno 6 dB, sprega TV/FM >20 dB
- Male connector TV, female connector FM,
- Throughpass attenuation 4 dB, connection atten. 6 dB, coupling TV/FM >20 dB



E612S.x

Priključnica antenska TV/FM/SAT završna
TV/FM/SAT aerial socket terminal

- Muški konektor TV, ženski konektor FM,
- SAT konektor IEC 60169-24 (F tip),
- Odvodno slabljenje <2 dB, sprega TV/FM >20 dB
- Male connector TV, female connector FM,
- SAT connector IEC 60169-24 (F type),
- Connection attenuation <2 dB, coupling attenuation TV/FM >20 dB

Bela
White **x = 0**

Crna soft
Soft black **x = E1**

Silver
Silver **x = S**





DEKORATIVNE MASKE DECORATIVE FRAMES

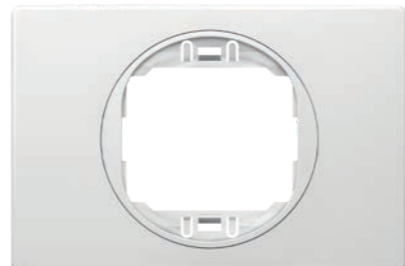
- Usaglašeno sa IEC 60669-1 i IEC 60884-1.
- Za ugradnju na EON mehanizme ugrađene u zid u nizajuće dozne za višestruke maske (osno rastojanje 71 mm)

- Complied with IEC 60669-1 and IEC 60884-1.
- For mounting onto EON mechanisms wall mounted in a sequence of boxes for multiple masks (axial distance 71 mm)

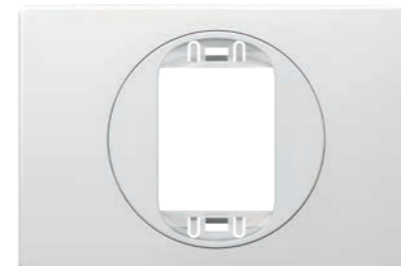
JEDNOSTRUKI MASKE ONE-GANG FRAMES



E6801.00
Maska jednostruka
80 x 80mm EON
*One-gang frame
80 x 80mm EON*



E6803.00
Maska jednostruka
EON 80 x 120mm
*One-gang frame
EON 80 x 120mm*



E6803U.00
Maska jednostruka
EON 80 x 120mm
za uski taster
*One-gang frame
EON 80 x 120mm
for narrow button*



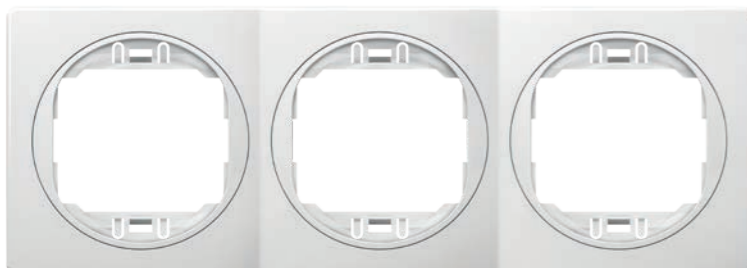
E6805.00
Maska dvostruke
prikjučnice EON
*Double-pole socket
outlet dual frame EON*

VIŠESTRUKI MASKE MULTI-GANG FRAMES

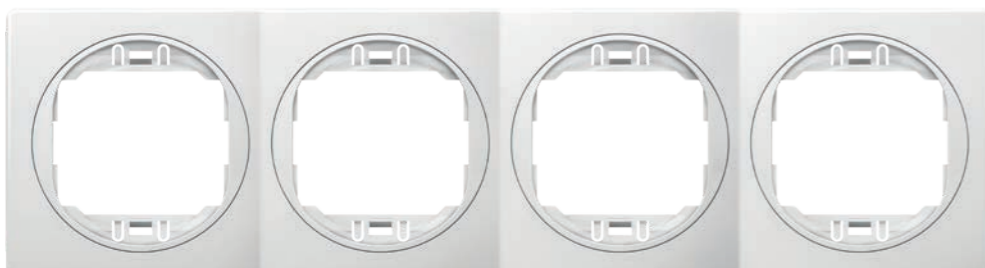
HORIZONTALNE / HORIZONTAL



E6701.00
Maska dvostruka
EON horizontalna
*Two-gang frame
EON horizontal*



E6703.00
Maska trostruka
EON horizontalna
*Three-gang frame
EON horizontal*



E6704.00
Maska četvorostuka
EON horizontalna
*Four-gang frame
EON horizontal*

VERTIKALNE / VERTICAL



E6711.00
Maska dvostruka
EON vertikalna
*Two-gang frame
EON vertical*



E6713.00
Maska trostruka
EON vertikalna
*Three-gang frame
EON vertical*



E6714.00
Maska četvorostuka
EON vertikalna
*Four-gang frame
EON vertical*



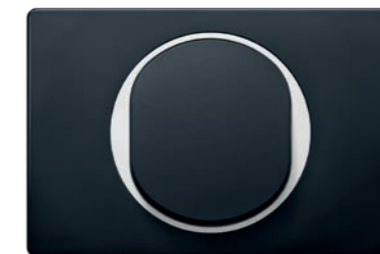
CLASSIC

CLASSIC linija sastoji se iz tri osnovne boje: bela, crna i silver

Boja dekorativnih maski prati boje mehanizama (tastera / bloka)

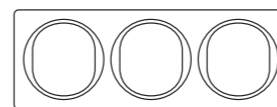
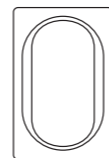
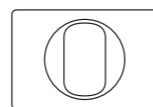
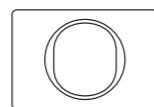
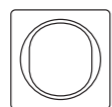
CLASSIC line consists of three basic colors: white, black and silver

Color of decorative frames is the same as color of mechanisms (button / block)





CLASSIC



Bela maska
Beli nosač
White frame
White holder



E6801.00

E6803.00

E6803U.00

E6805.00

E6701.00

E6703.00

E6704.00

E6711.00

E6713.00

E6714.00

Bela maska
Crni nosač
White frame
Black holder



E6801.0E

E6803.0E

E6803U.0E

E6805.0E

E6701.0E

E6703.0E

E6704.0E

E6711.0E

E6713.0E

E6714.0E

Bela maska
Silver nosač
White frame
Silver holder



E6801.0S

E6803.0S

E6803U.0S

E6805.0S

E6701.0S

E6703.0S

E6704.0S

E6711.0S

E6713.0S

E6714.0S

Crna maska
Beli nosač
Black frame
White holder



E6801.E0

E6803.E0

E6803U.E0

E6805.E0

E6701.E0

E6703.E0

E6704.E0

E6711.E0

E6713.E0

E6714.E0

Crna maska
Crni nosač
Black frame
Black holder



E6801.EE

E6803.EE

E6803U.EE

E6805.EE

E6701.EE

E6703.EE

E6704.EE

E6711.EE

E6713.EE

E6714.EE

Crna maska
Silver nosač
Black frame
Silver holder



E6801.ES

E6803.ES

E6803U.ES

E6805.ES

E6701.ES

E6703.ES

E6704.ES

E6711.ES

E6713.ES

E6714.ES

Silver maska
Beli nosač
Silver frame
White holder



E6801.S0

E6803.S0

E6803U.S0

E6805.S0

E6701.S0

E6703.S0

E6704.S0

E6711.S0

E6713.S0

E6714.S0

Silver maska
Crni nosač
Silver frame
Black holder



E6801.SE

E6803.SE

E6803U.SE

E6805.SE

E6701.SE

E6703.SE

E6704.SE

E6711.SE

E6713.SE

E6714.SE

Silver maska
Silver nosač
Silver frame
Silver holder



E6801.SS

E6803.SS

E6803U.SS

E6805.SS

E6701.SS

E6703.SS

E6704.SS

E6711.SS

E6713.SS

E6714.SS

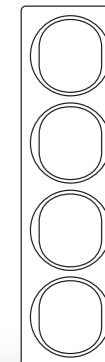
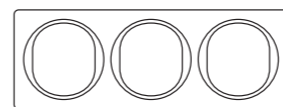
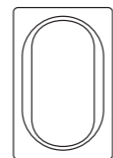
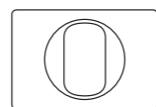
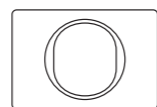
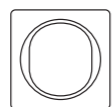
Razigrane boje koje će veselo razbuditi svaki prostor.

Playful colors that will happily wake up every space





COLOR



Lavanda maska
Beli nosač
*Lavander frame
White holder*



E6801.V0

E6803.V0

E6803U.V0

E6805.V0

E6701.V0

E6703.V0

E6704.V0

E6711.V0

E6713.V0

E6714.V0

Pastel zelena maska
Beli nosač
*Pastel green frame
White holder*



E6801.70

E6803.70

E6803U.70

E6805.70

E6701.70

E6703.70

E6704.70

E6711.70

E6713.70

E6714.70

Krem maska
Crni nosač
*Beige frame
Black holder*



E6801.9E

E6803.9E

E6803U.9E

E6805.9E

E6701.9E

E6703.9E

E6704.9E

E6711.9E

E6713.9E

E6714.9E

Crvena maska
Crni nosač
*Red frame
Black holder*



E6801.4E

E6803.4E

E6803U.4E

E6805.4E

E6701.4E

E6703.4E

E6704.4E

E6711.4E

E6713.4E

E6714.4E

METALLIC

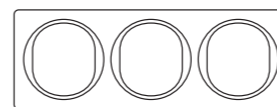
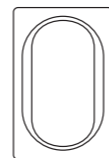
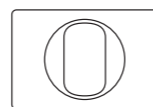
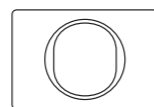
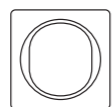
Za prostore sa dozom
metalnog odsjaja

*For spaces with a touch
of metallic reflection*





METALLIC



Brušeni nikal maska
Crni nosač
*Brushed nickel frame
Black holder*



E6801.G2E

E6803.G2E

E6803U.G2E

E6805.G2E

E6701.G2E

E6703.G2E

E6704.G2E

E6711.G2E

E6713.G2E

E6714.G2E

Antičko srebro maska
Crni nosač
*Antic silver frame
Black holder*



E6801.S1E

E6803.S1E

E6803U.S1E

E6805.S1E

E6701.S1E

E6703.S1E

E6704.S1E

E6711.S1E

E6713.S1E

E6714.S1E

Zlatna maska
Crni nosač
*Gold frame
Black holder*



E6801.GE

E6803.GE

E6803U.GE

E6805.GE

E6701.GE

E6703.GE

E6704.GE

E6711.GE

E6713.GE

E6714.GE

SOFT TOUCH

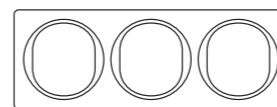
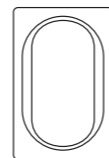
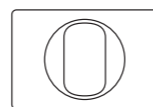
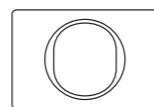
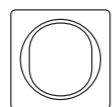
Jednostavan,
nežan na dodir

*Simple,
gentle touch*



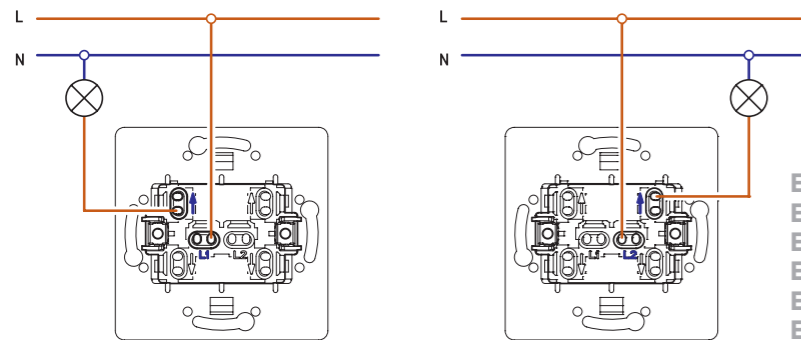


SOFT TOUCH



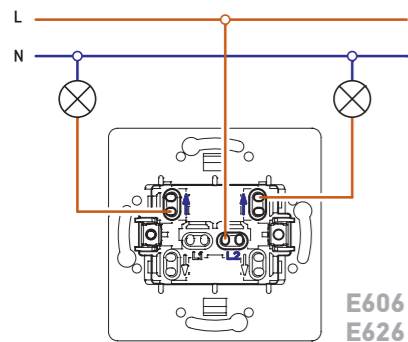


ŠEME VEZIVANJA
WIRING DIAGRAMS



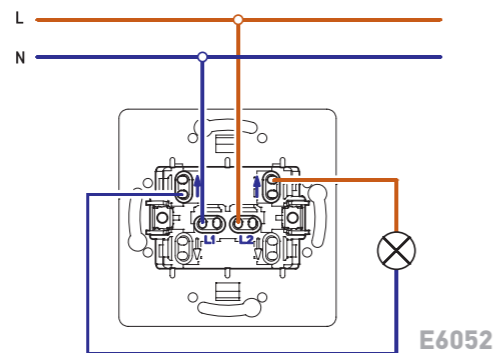
E605
E6091
E610
E6101
E625
E619

Jednopolna sklopka ima dve izvedbe sklopanja (leva i desna) i u skladu s tim se povezuju priključni provodnici.
Single-pole switch is supplied in two wiring executions (left and right) and the conductors are connected accordingly.



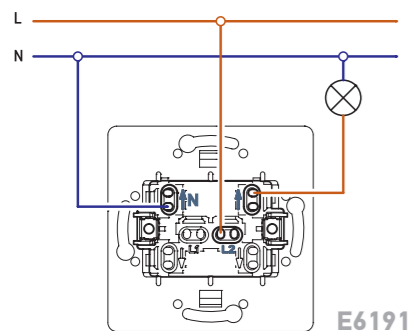
E606
E626

Serijska sklopka
Serial switch



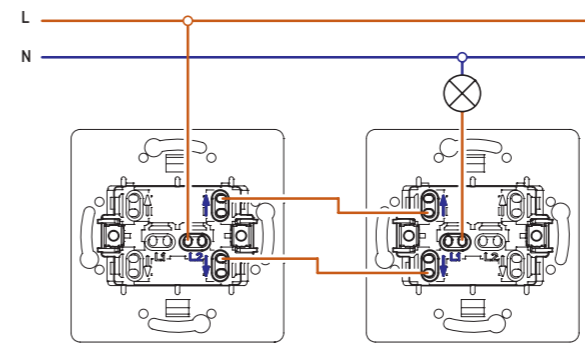
E6052

Dvopolna sklopka
Double pole switch



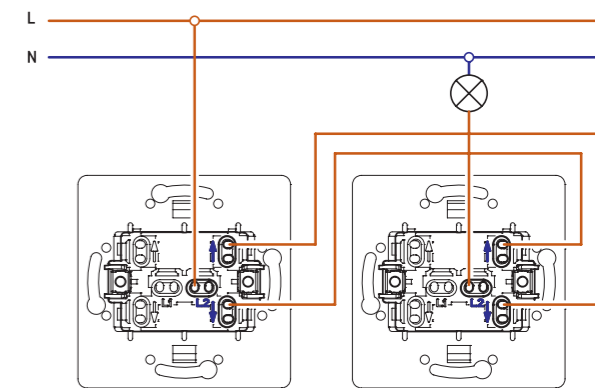
E6191

Jednopolne indikatorske sklopke (indikacija svetli kada je sklopka uključena) za povezivanje zahtevaju nulti provodnik
Single-pole indication switches (indication turns on when the switch is on) require neutral conductor to be wired.



E607
E6072
E627

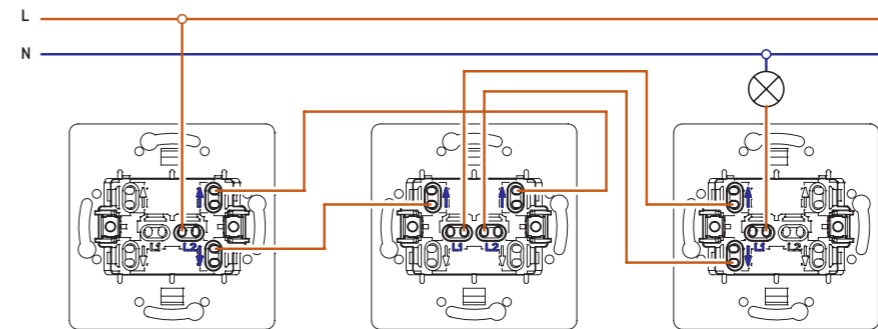
Naizmjenična sklopka, dve izvedbe sklopanja (leva i desna)
Alternative switch, two wiring executions (left and right)



E608
E628

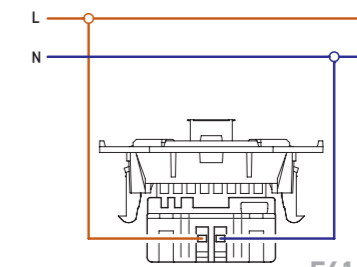
Ukrsna sklopka se povezuje u kombinaciji sa naizmjeničnim sklopkama. Može se povezati neograničen broj ukrasnih sklopki u kombinaciji sa dve naizmjenične.

Cross-switch is wired in combination with alternative switches. The unlimited number of cross switches may be wired in combination with two alternative switches.



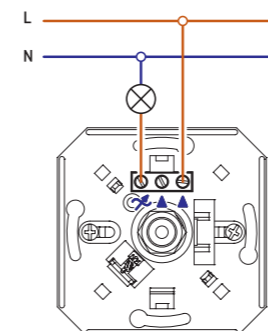
E6075

Taster sklopka za roletne
Push-button shutters switch

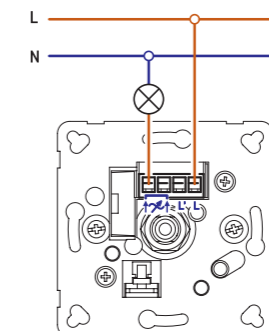


E6161

USB punjač
USB charger



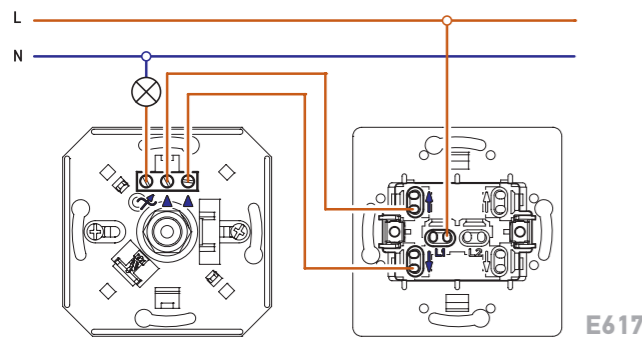
E617
E6173



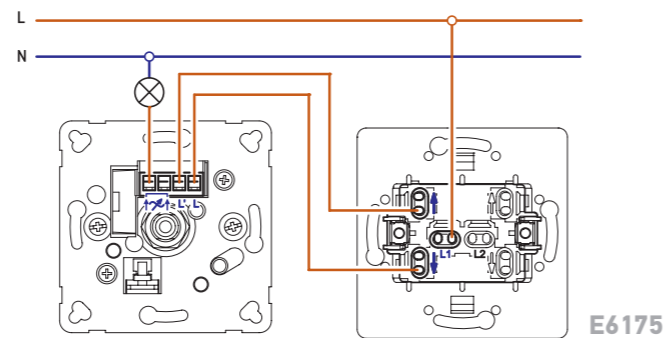
E6175

Povezivanje regulatora jačine svetlosti sa naizmjeničnom sklopkom kao jednopolne sklopke i regulatora sa rotacionom jednopolnom sklopkom.

Wiring of dimmer with alternative switch as a single-pole switch and the dimmer with rotary single-pole switch.



E617



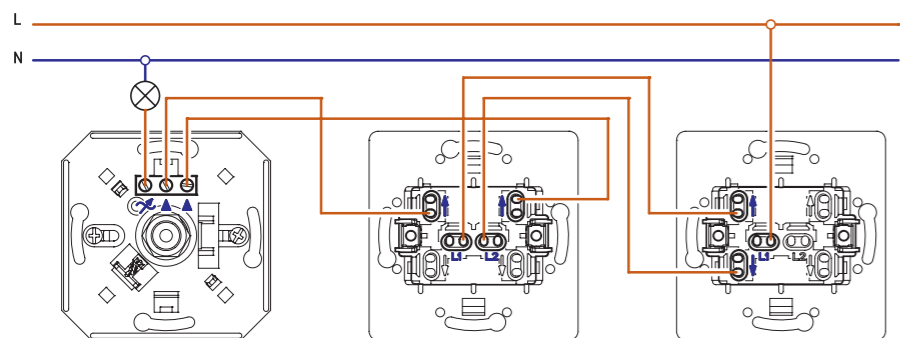
E6175

Regulator jačine svetlosti sa naizmjeničnom sklopkom može se povezivati i u kombinaciji sa naizmjeničnom sklopkom za regulaciju sa jednog mesta i uključivanje i isključivanje sa dva mesta.

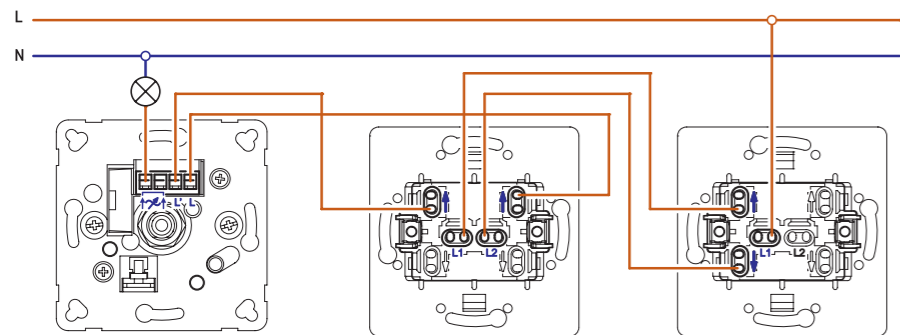
Međusobno povezivanje više regulatora nije moguće.

Dimmer with alternative switch may be also wired in combination with alternative switch for the regulation from one place and switching on and off from two places.

Inter-wiring of more regulators is not possible.



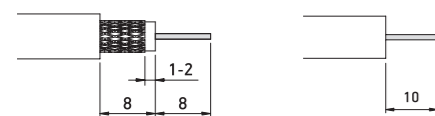
E617



E6175

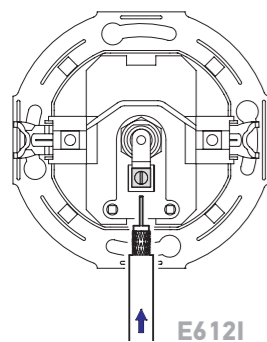
Kombinacijom regulatora sa naizmjeničnom sklopkom i ukrsne i naizmjenične sklopke omogućava se uključivanje i isključivanje sa proizvoljan broj mesta.

The combination of dimer with alternative switch and cross and alternative switch provides the switching on and off from the desirable number of places.

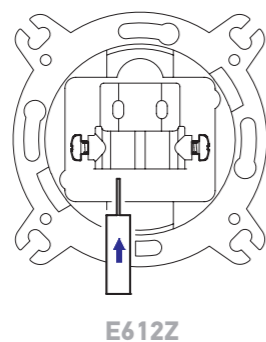


Antenski kabal za priključenje na antenske priključnice potrebno je pripremiti prema prikazanoj šemi da bi se postigao siguran kontakt, jednostavno postavljanje i onemogućio eventualni kratak spoj.

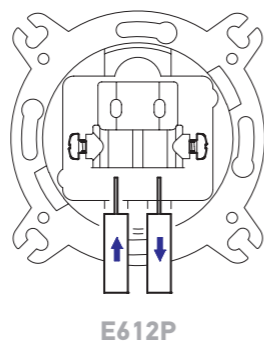
For safe contact, simple installing and short-circuit disabling cable for aerial socket wiring must be prepared according showed scheme.



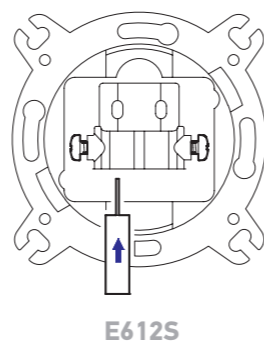
E612I



E612Z



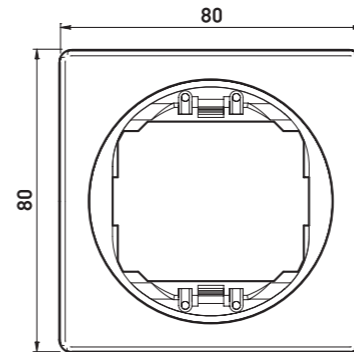
E612P



E612S

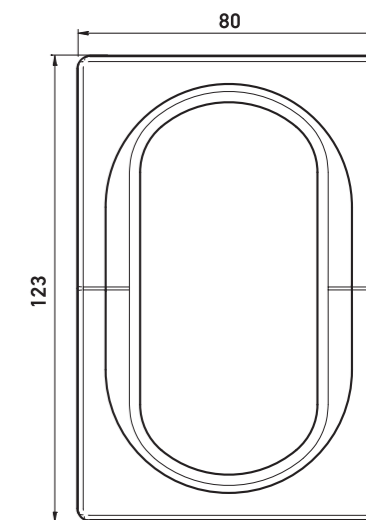
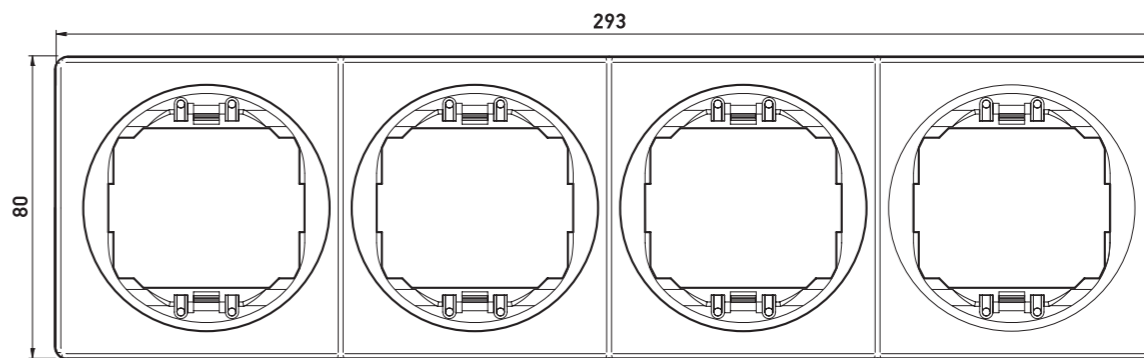
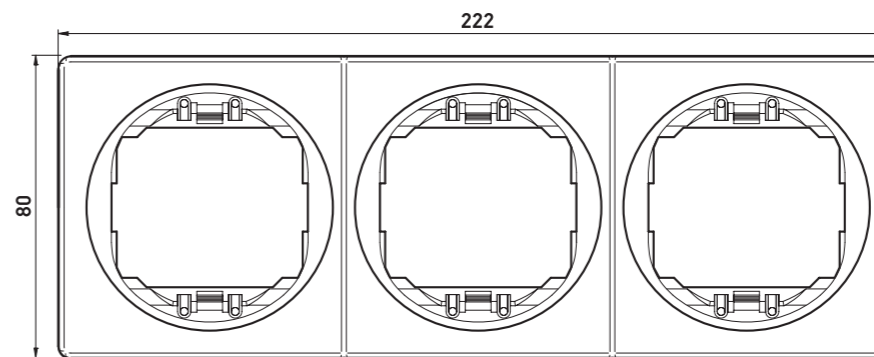
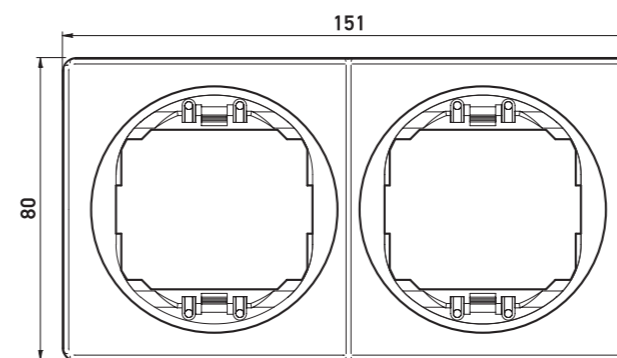
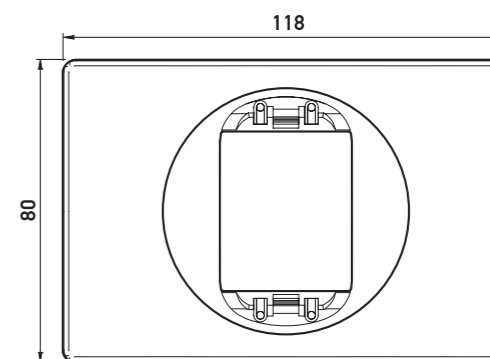
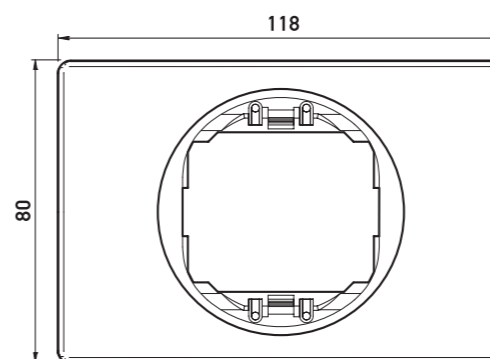
Pripremljen antenski kabal priključujemo pritezanjem u priključnu stezaljku i stezanjem oklopa kabla priteznom papučicom prema datim šemama.

Prepared aerial cable may be installed into terminal and shield tightened by tightening clamp according showed scheme.



eon

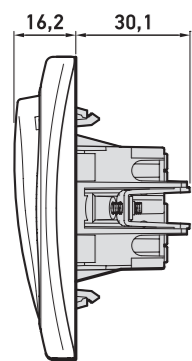
TEHNIČKI CRTEŽI
TECHNICAL DRAWINGS



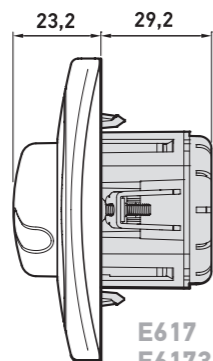


DIMENZIJE ZA UGRADNJU INSTALLATION DIMENSIONS

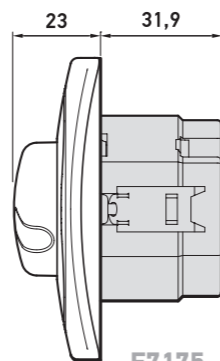
- Osnova maske 80x80mm
- Cover frame base 80x80mm



- E605
- E6052
- E606
- E607
- E6072
- E608
- E6090
- E609
- E6091

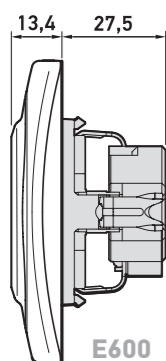


- E610
- E6101
- E625
- E626
- E627
- E6075
- E628
- E619
- E6191

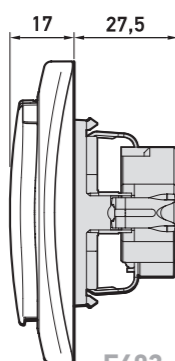


- E617
- E6173

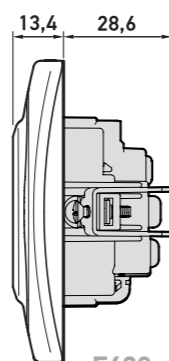
- E7175



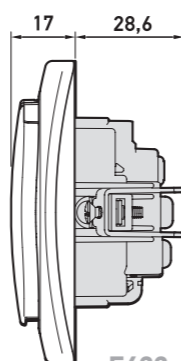
- E600
- E601



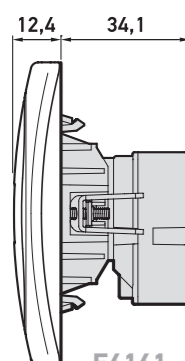
- E603



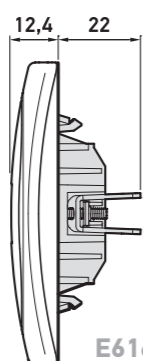
- E630



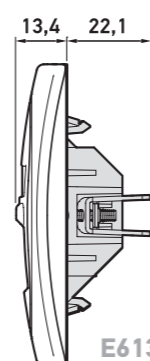
- E633



- E6161

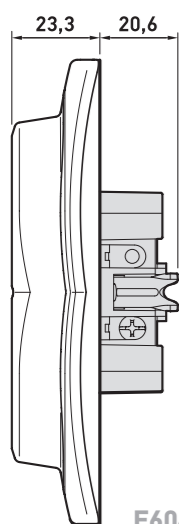


- E616
- E6162
- E6165
- E6163



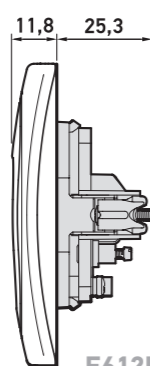
- E613
- E6131

- E614
- E614S
- E615
- E615S

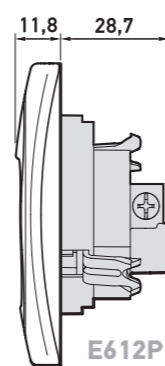


- E604

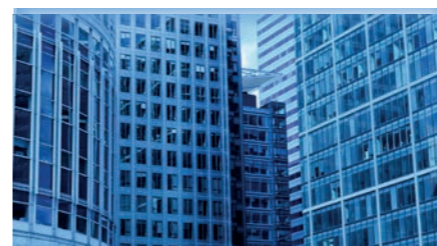
Osnova maske
80x123mm
Cover frame base
80x123mm



- E6121



- E612P
- E612Z
- E612S



ALING-CONEL



E04 400 x 1400 mm

Reklamni pano EON

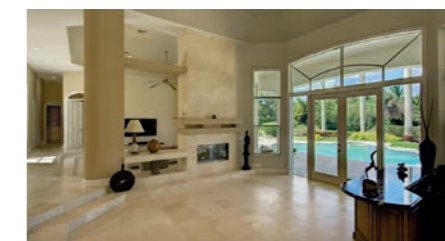
Display board EON



REKLAMNI MATERIJAL PROMOTIONAL MATERIAL

ALING-CONEL za potrebe veleprodaja, maloprodaja i prodajnih salona nudi reklamne panoje u više dimenzija, sa originalnim proizvodima. Izgled panoja može da varira u zavisnosti od proizvoda koji se na njima prikazuju.

Ideally suitable for wholesales, retails and showrooms ALING-CONEL provides display boards with original devices. The layout of display boards might be changed caused by product changes.



ALING-CONEL



E03 400 x 800 mm

Reklamni pano EON

Display board EON



ALING-CONEL



E02 200 x 750 mm

Reklamni pano EON

Display board EON



E05

Promo kutija EON

Promo box EON

Kutija sa odabranim proizvodima i dekorativnim maskama omogućava prikaz brojnih kombinacija boja i dizajna brenda EON. Kutija je uradena u kvalitetnom plastificiranom kartonu sa dekorativnom štampom.

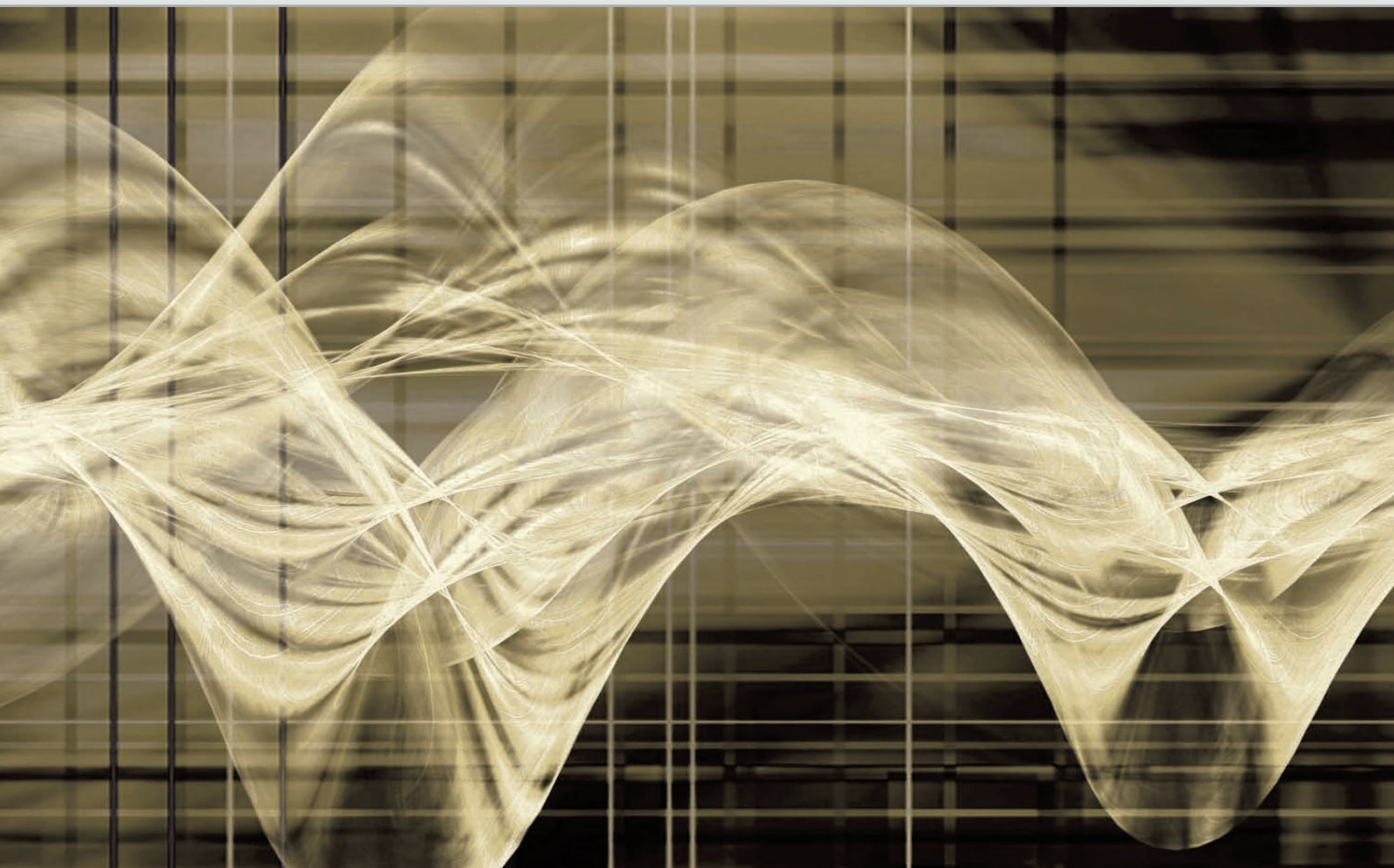
Promo box with chosen products and decorative frames is designed to show variety of color combinations and design of EON brand. Promo box is made of high quality cardboard with decorative print.



SADRŽAJ KATALOGA
THE CATALOG CONTENT

9	BELI PROGRAM 80X80 SKLOP WHITE PROGRAM 80X80 SET
10	SKLOPKE SWITCHES
12	ELEKTRONIKA ELECTRONICS
13	PRIKLJUČNICE SOCKET OUTLETS
14	KOMUNIKACIJE COMMUNICATIONS
17	MEHANIZMI BEZ MASKE MECHANISMS WITHOUT COVER FRAME
22	USKI TASTER NARROW BUTTON
29	DEKORATIVNE MASKE DECORATIVE FRAMES
32	CLASSIC
36	COLOR
40	METALLIC
44	SOFT TOUCH
48	ŠEME VEZIVANJA WIRING DIAGRAMS
51	TEHNIČKI CRTEŽI TECHNICAL DRAWINGS
52	DIMENZIJE ZA UGRADNJU INSTALATION DIMENSIONS
53	REKLAMNI MATERIJAL PROMOTIONAL MATERIAL





ALING-CONEL

a: Železnička 10, 21432 Gajdobra, Serbia
t: +381 21 762 674, 762 586
f: +381 21 762 779
e: sales@aling-conel.com
www.aling-conel.com