



PRESTIGE line

KVALITET I SIGURNOST U PROIZVODNJI
ELEKTROMATERIJALA

PRESTIGE line

QUALITY AND SAFETY IN PRODUCTION
OF ELECTRICAL INSTALLATION MATERIALS



PRESTIGE line

Sklopke i priključnice PRESTIGE LINE oplemenjene su jednostavnošću tehničkih rešenja i izuzetno lakom ugradnjom.

Izrađene su savremenim tehnološkim postupkom od visokokvalitetnih materijala.

PRESTIGE LINE switches and socket outlets are enriched due to their simplicity of technical solutions and very simple installation.

Products are made by modern technological process and with high quality materials.

ALING-CONEL

DIZAJN OBLIKUJE NAŠ SVET

PRESTIGE line

DESIGN SHAPES OUR WORLD



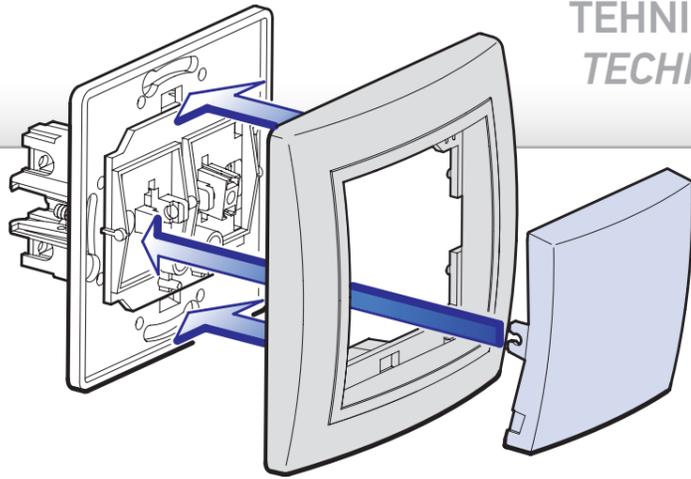
Dizajn i boje PRESTIGE LINE programa savršeno se uklapaju u vaše enterijere.

Design and colours of PRESTIGE LINE perfectly match with your interiors.

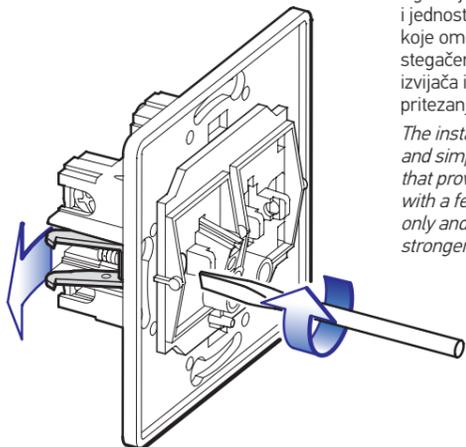
VRLO JEDNOSTAVAN - VEOMA IZRAŽAJAN - KLASIČAN
VERY SIMPLE - VERY EXPRESSIVE - CLASICAL

PRESTIGE line

TEHNIČKE PREDNOSTI TECHNICAL ADVANTAGES

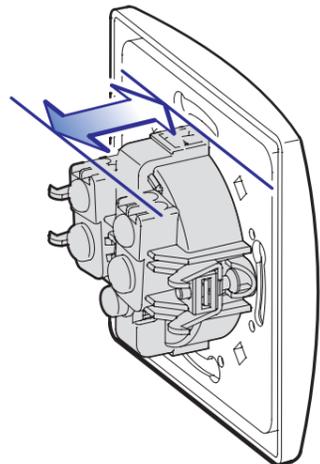


Masku i taster sklopke postavljamo i skidamo veoma jednostavno. Ova kombinacija će Vam i pored jednostavnosti obezbediti dugotrajan i pouzdan rad.
Installation of decorative cover frame and switch button is very simple and easy. Beside simplicity, this combination is providing a long and reliable usage.



Ugradnja pomoću stegača je brza i jednostavna zahvaljujući rešenju koje omogućava pritezanje stegačem sa vrlo malo okretaja izvijača i bez potrebe jačeg pritezanja vijka.

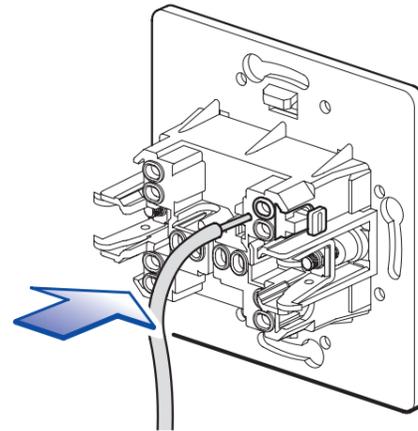
The installation by clamps is quick and simple thanks to the solution that provides tightening by clamps with a few screwdriver turnings only and without any necessity for stronger screw tightening.



Plastična priključnica je izrađena tako da zauzima veoma malo prostora u montažnoj kutiji čime se montaža pojednostavljuje zbog većeg prostora za smeštaj provodnika. Priključivanje provodnika je veoma brzo jer je obezbeđeno njegovo postavljanje bez mogućnosti isklizavanja tokom pritezanja.

Socket outlet is made to take a very little space in installation box. Installation is simple because of enough space for conductors. Connecting of wires is fast since there is no possibility of slipping out when tightening.

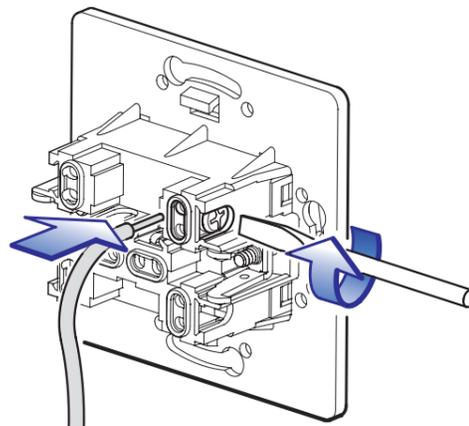
BEZVIJČANA MONTAŽA SCREWLESS INSTALLATION



Bezvičajni kontakti omogućuju pouzdanu i brzu montažu do dva provodnika preseka 2,5mm², bez upotrebe alata za stezanje.

Screwless contacts are allowing safe and fast installation up to two conductors with diameter 2,5mm², without screwdriver.

VIJČANA MONTAŽA INSTALLATION WITH SCREWS



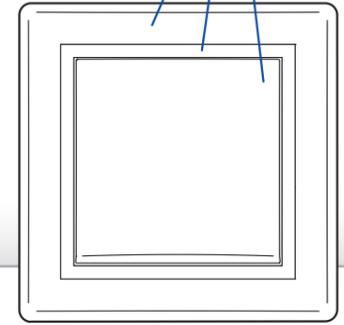
Pritezanje provodnika obezbeđeno je pouzdanom i sigurnom vijčanom vezom za provodnike preseka do 4 mm². Priključivanje provodnika je veoma brzo jer je obezbeđeno njegovo postavljanje bez mogućnosti isklizavanja tokom pritezanja.

The tightening of conductors is provided by the reliable and safe screw joint for the conductors section to 4 mm². The connecting of conductors is very quick as their setting up is secured without any possibility of slipping out during tightening.

PRESTIGE line

BOJE PREDNJIH ELEMENATA FRONT ELEMENTS COLORS

art.605.X X X



Mogućnosti kombinacija više boja date su trocifrenom šifrom proizvoda (za kompletne proizvode) ili jednocifrenom šifrom (za mehanizme bez maske i međurama, maske i međuramove) u zavisnosti od elementa:

prva cifra - šifra boje maske

druga cifra - šifra boje međurama

treća cifra - šifra boje središnjeg dela (taster, blok)

Kod jednocifrenog označavanja šifra predstavlja boju jednog elementa (taster, blok, maska, međuram).

Standardno se izrađuju boje:

The possibility of colors combination is given by three-digit code of product (for the complete products) or one-digit code (for mechanisms without mask and interframe, masks and interframes) depending on element:

first digit - code of mask color

second digit - code of interframe color

third digit - code of middle part color (push-button, block)

One digit code represents the color of one element (button, block, mask, inter-frame)

The standard colors are:

x = 0



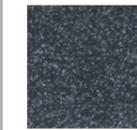
Bela
White
RAL 9003

x = 1



Siva
Grey
RAL 7035

x = 2



Grafit sa metalik efektom
Graphite with metallic effect
RAL 7021

x = 3



Bordo
Dark red
RAL 3004

x = 9



Krem
Beige
RAL 1013

x = S



Srebrna
Silver

x = E1



Soft Touch



00
Bela maska sa imitacijom međurama
White frame with interframe imitation



S2S
Srebrna, grafit, srebrna
Silver, graphite, silver



220
Grafit, grafit, bela
Graphite, graphite, white



212
Grafit, siva, grafit
Graphite, grey, graphite



330
Bordo, bordo, bela
Dark red, dark red, white



99
Krem
Beige



E1E1
Soft Touch

STANDARDNE BOJE
PRESTIGE line
 STANDARD COLORS



Bela
 White



Srebrna, grafit, srebrna
 Silver, graphite, silver



Krem
 Beige



Grafit, grafit, bela
 Graphite, graphite, white



Grafit, siva, grafit
 Graphite, grey, graphite



Bordo, bordo, bela
 Dark red, dark red, white



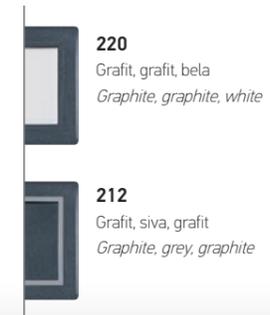
Soft Touch



PRESTIGE line

SKLOPKE SWITCHES

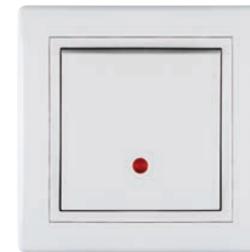
- Usaglašeno sa IEC 60669-1,
- Ugradnja u zid u montažnu kutiju Ø60 pomoću stegača ili vijaka
- Complied with IEC 60669-1,
- Wall mounted into the installation box Ø60 by clamps or screws



605.xxx
Sklopka jednapolna
10AX/250V~
Single-pole switch
10AX/250V~

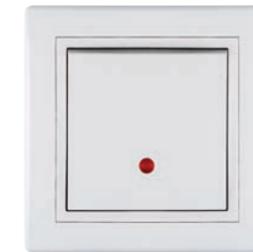


608.xxx
Sklopka ukrсна
10AX/250V~
Cross-switch
10AX/250V~



625.xxx
Sklopka jednapolna
sa indicijom 10AX/250V~
Single-pole switch
with indication 10AX/250V~

- Indikacija svetli kada je sklopka isključena
- Indication turns on when the switch is off



628.xxx
Sklopka ukrсна
sa indicijom 10AX/250V~
Cross switch
with indication 10AX/250V~

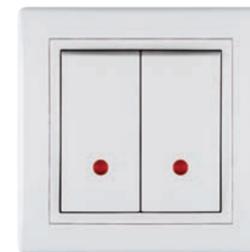
- Indikacija svetli kada je strujno kolo otvoreno
- Indication turns on when the circuit is open



6052.xxx
Sklopka dvopolna
10AX/250V~
Double-pole switch
10AX/250V~



609.xxx
Taster sklopka za svetlo
bez indicije
10AX/250V~
Light push-button switch
without indication
10AX/250V~



626.xxx
Sklopka serijska
sa indicijom 10AX/250V~
Serial switch
with indication 10AX/250V~

- Indikacija svetli kada je sklopka isključena
- Indication turns on when the switch is off



619.xxx
Sklopka jednapolna
sa indicijom 16AX/250V~
Single-pole switch
with indication 16AX/250V~

- Indikacija svetli kada je sklopka isključena
- Indication turns on when the switch is off



606.xxx
Sklopka serijska
10AX/250V~
Serial switch
10AX/250V~



609I.xxx
Taster sklopka za svetlo
sa indicijom 10AX/250V~
Light push-button switch
with indication 10AX/250V~

- Indikacija svetli kada je sklopka isključena
- Indication turns on when the switch is off



627.xxx
Sklopka naizmenična
sa indicijom 10AX/250V~
Alternative switch
with indication 10AX/250V~

- Indikacija svetli kada je strujno kolo otvoreno
- Indication turns on when the circuit is open



6191.xxx
Sklopka jednapolna
indikatorska 16AX/250V~
Single-pole switch
with indication 16AX/250V~

- Indikacija svetli kada je sklopka uključena
- Indication turns on when the switch is on



607.xxx
Sklopka naizmenična
10AX/250V~
Alternative switch
10AX/250V~



610.xxx
Taster sklopka za zvono
bez indicije
10AX/250V~
Bell push-button switch
without indication
10AX/250V~



6075.xxx
Taster sklopka za roletne
10AX 250V~
Push-button shutters switch
10AX 250V~

- Upravljanje kretanjem elektromotora za roletne u dva smera
- Control of shutters' electric motor movement in two directions



6090.xxx
Taster sklopka
10AX/250V~
Push-button switch
10AX/250V~



6072.xxx
Sklopka naizmenična
dvostruka 10AX/250V~
Alternative switch
double 10AX/250V~



610I.xxx
Taster sklopka za zvono
sa indicijom 10AX/250V~
Bell push-button switch
with indication 10AX/250V~

- Indikacija svetli kada je sklopka isključena
- Indication turns on when the switch is off



6095.xx
Taster sklopka kartična
PRESTIGE 10A 250V~
Push-button card switch
PRESTIGE 10A 250V~

PRESTIGE line

ELEKTRONIKA ELECTRONICS



617.xxx

Regulator jačine svetlosti sa naizmeničnom sklopkom 40-400VA, 230V~/50Hz

Dimmer with alternative switch 40-400VA, 230V~/50Hz

- Za sijalice sa užarenim vlaknom i halogene sijalice sa standardnim transformatorom,
- Usaglašeno sa IEC 60669-2-1
- Ugradnja u zid u montažnu kutiju Ø60 pomoću stegača ili vijaka

- *For incandescent filament lamps and halogen lamps with standard transformer*
- *Complied with IEC 60669-2-1*
- *Wall mounted into the installation box Ø60 by clamps or screws*



6173.xxx

Regulator jačine svetlosti sa rotacionom jednopolnom sklopkom 40-400VA, 230V~/50Hz

Dimmer with rotary single-pole switch 40-400VA, 230V~/50Hz

- Za sijalice sa užarenim vlaknom i halogene sijalice sa standardnim transformatorom,
- Usaglašeno sa IEC 60669-2-1
- Ugradnja u zid u montažnu kutiju Ø60 pomoću stegača ili vijaka

- *For incandescent filament lamps and halogen lamps with standard transformer*
- *Complied with IEC 60669-2-1*
- *Wall mounted into the installation box Ø60 by clamps or screws*



6175.xxx

Regulator jačine svetlosti za LED, 1-100W

Dimmer for LED, 1-100W

- Univerzalni elektronski regulator za sve vrste sijalica;
- Osnovna namena za CFL i LED dimabilne sijalice 1-100W;
- Usaglašeno sa IEC 60669-2-1

- *Universal dimmer for all types of bulbs;*
- *The main purpose for dimmable CFL and LED bulbs 1-100W;*
- *Complied with IEC 60669-2-1*



PRESTIGE line

PRIKLJUČNICE SOCKET OUTLETS

- Usaglašeno sa IEC 60884-1,
- Ugradnja u zid u montažnu kutiju Ø60 pomoću stegača ili vijaka
- *Complied with IEC 60884-1,*
- *Wall mounted into the installation box Ø60 by clamps or screws*



600.xxx

Priključnica dvopolna 16A/250V- sa porcelanskim jezgrom

Double-pole socket outlet 16A/250V- with porcelain insert



603.xxx

Priključnica dvopolna sa poklopcem 16A/250V- sa porcelanskim jezgrom

Double-pole socket outlet with cover 16A/250V- with porcelain insert



601.xxx

Priključnica dvopolna 16A/250V- sa porcelanskim jezgrom i zaštitom od dodira

Double-pole socket outlet 16A/250V- with porcelain insert and touch protection



633.xxx

Priključnica dvopolna sa poklopcem 16A/250V- sa polikarbonatskim jezgrom

Double-pole socket outlet with cover 16A/250V- with polycarbonate insert



630.xxx

Priključnica dvopolna 16A/250V- sa polikarbonatskim jezgrom

Double-pole socket outlet 16A/250V- with polycarbonate insert



604.xx

Priključnica dvopolna dvostruka 16A/250V- sa polikarbonatskim jezgrom

Double-pole socket outlet 16A/250V- double with polycarbonate insert

- Nema mogućnost ugradnje u višestruke maske
- *No possibility of mounting into multiple masks*

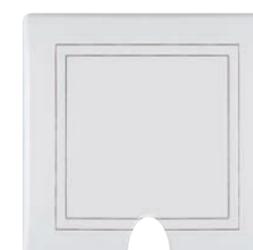


602.xx

Priključnica trolepolna 16A/440V- sa porcelanskim jezgrom

Tripolar socket outlet 16A/440V- with porcelain insert

- Ugradnja u zid u montažnu kutiju Ø70 pomoću vijaka
- *Wall mounted into the installation box Ø70 by screws*



640.x

Kutija za stalni priključak 5x2,5mm² za u zid 440V-

Junction box for continuous connection 5x2,2mm² for into the wall 440V-



PRESTIGE line

PRIKLJUČNICE SOCKET OUTLETS

- Usaglašeno sa IEC 60884-1, NF C 61-314,
- Ugradnja u zid u montažnu kutiju Ø60 pomoću stegača ili vijaka
- Complied with IEC 60884-1, NF C 61-314,
- Wall mounted into the installation box Ø60 by clamps or screws



635.xxx

Priključnica dvopolna 16A/250V~
Francuski standard
*Double-pole socket outlet 16A/250V~
French standard*



6350.xxx

Priključnica dvopolna 16A/250V~
sa zaštitom od dodira
Francuski standard
*Double-pole socket outlet 16A/250V~
with touch protection
French standard*



6045.xx

Priključnica dvopolna
dvostruka 16A/250V~
sa polikarbonatskim jezgrom
Francuski standard
*Double-pole socket outlet
16A/250V~ double
with polycarbonate insert
French standard*

- Nema mogućnost ugradnje u višestruke maske
- No possibility of mounting into multiple masks



6161.xxx

USB punjač 2xUSB 2, 1A 5V=
2xUSB charger 2, 1A 5V=

- Za punjenje elektronskih uređaja putem standardnog USB porta;
- Punjenje dva uređaja istovremeno;
- Usaglašeno sa EN 60950-1 EMC direktivom;
- For charging of electronic devises via standard USB port;
- Enables charging of two devices simultaneously;
- Complied with EN 60950-1 and EMC directive;



6162.xxx

Priključnica USB/USB Keystone
USB/USB socket Keystone

- Za konekciju USB uređaja i kablova (nije punjač);
- Podržava USB 2.0 standard;
- For connection of USB devices and cables (not charging unit);
- Supports USB 2.0 standard;



6163.xxx

Priključnica HDMI/HDMI Keystone
HDMI/HDMI socket Keystone

- Za konekciju kablova za prenos signala preko HDMI priključka;
- For the transmission of signal through HDMI connector;



611.xxx

Priključnica telefonska
dvostruka RJ12 6/2
sa dve odvojene linije
*Double telephone socket
RJ12 6/2 with two
separate lines*

PRESTIGE line

KOMUNIKACIJE COMMUNICATIONS

- Usaglašeno sa IEC 60603-7,
- Ugradnja u zid u montažnu kutiju Ø60 pomoću stegača ili vijaka
- Complied with IEC 60603-7,
- Wall mounted into the installation box Ø60 by clamps or screws



613.xxx

Priključnica telefonska
dvostruka RJ12 6/4
sa dve spojene linije
*Double telephone socket
RJ12 6/4 with two
connected lines*



6131.xxx

Priključnica telefonska
dvostruka sa Keystone
modulima RJ12 6/6 Cat 3
*Double telephone socket
with Keystone modules
RJ12 6/6 Cat 3*

- Montaža provodnika bez upotrebe alata
- Tool-less conducting wire installation



614.xxx

Priključnica komunikacijska
sa Keystone modulima
dvostruka RJ45 Cat5e UTP
*Data socket double with Keystone
modules RJ45 Cat5e UTP*

- Montaža provodnika bez upotrebe alata
- Spajanje prema TIA/EIA-568A ili 568B standardu za raspored parica
- Tool-less conducting wire installation
- Wiring according to TIA/EIA-568A or 568B standard for the arrangement of pairs



614S.xxx

Priključnica komunikacijska
sa Keystone modulima
dvostruka RJ45 Cat5e FTP
*Data socket double with Keystone
modules RJ45 Cat5e FTP (shielded)*

- Montaža provodnika bez upotrebe alata
- Spajanje prema TIA/EIA-568A ili 568B standardu za raspored parica
- Tool-less conducting wire installation
- Wiring according to TIA/EIA-568A or 568B standard for the arrangement of pairs



615.xxx

Priključnica komunikacijska
sa Keystone modulima
dvostruka RJ45 Cat6 UTP
*Data socket double with Keystone
modules RJ45 Cat6 UTP*

- Montaža provodnika bez upotrebe alata
- Spajanje prema TIA/EIA-568A ili 568B standardu za raspored parica
- Tool-less conducting wire installation
- Wiring according to TIA/EIA-568A or 568B standard for the arrangement of pairs



615S.xxx

Priključnica komunikacijska
sa Keystone modulima
dvostruka RJ45 Cat6 FTP
*Data socket double with Keystone
modules RJ45 Cat6 FTP (shielded)*

- Montaža provodnika bez upotrebe alata
- Spajanje prema TIA/EIA-568A ili 568B standardu za raspored parica
- Tool-less conducting wire installation
- Wiring according to TIA/EIA-568A or 568B standard for the arrangement of pairs



616.xxx

Priključnica komunikacijska
sa Keystone modulom
RJ45 Cat 6A UTP
*Data socket with Keystone
module RJ45 Cat 6A UTP*

- Montaža provodnika bez upotrebe alata
- Spajanje prema TIA/EIA-568A ili 568B standardu za raspored parica
- Tool-less conducting wire installation
- Wiring according to TIA/EIA-568A or 568B standard for the arrangement of pairs



616S.xxx

Priključnica komunikacijska
sa Keystone modulom
RJ45 Cat 6A FTP
*Data socket with Keystone
module RJ45 Cat 6A FTP (shielded)*

- Montaža provodnika bez upotrebe alata
- Spajanje prema TIA/EIA-568A ili 568B standardu za raspored parica
- Tool-less conducting wire installation
- Wiring according to TIA/EIA-568A or 568B standard for the arrangement of pairs

PRESTIGE line

KOMUNIKACIJE COMMUNICATIONS

- Usaglašeno sa IEC 60169-2,
- Ugradnja u zid u montažnu kutiju Ø60 pomoću stegača ili vijaka
- Complied with IEC 60169-2,
- Wall mounted into the installation box Ø60 by clamps or screws

PRESTIGE line

MEHANIZMI BEZ MASKE I MEĐURAMA MECHANISMS WITHOUT COVER FRAME AND INTERFRAME



612L.xxx

Priključnica antenska TV završna za individualne sisteme

TV aerial socket for individual systems

- Muški konektor,
- Odvodno slabljenje signala <1 dB
- Male connector,
- Connection attenuation <1 dB



612P.xxx

Priključnica antenska TV/FM prolazna
TV/FM aerial socket transient

- Muški konektor TV, ženski konektor FM,
- Prolazno slabljenje 4 dB, odvodno 6 dB, sprega TV/FM >20 dB
- Male connector TV, female connector FM,
- Throughpass attenuation 4 dB, connection atten. 6 dB, coupling TV/FM >20 dB



612Z.xxx

Priključnica antenska TV/FM završna
TV/FM aerial socket terminal

- Muški konektor TV, ženski konektor FM,
- Odvodno slabljenje <2 dB, sprega TV/FM >20 dB
- Male connector TV, female connector FM,
- Connection attenuation <2 dB, coupling attenuation TV/FM >20 dB



612S.xxx

Priključnica antenska TV/FM/SAT završna
TV/FM/SAT aerial socket terminal

- Muški konektor TV, ženski konektor FM,
- SAT konektor IEC 60169-24 (F tip),
- Odvodno slabljenje <2 dB, sprega TV/FM >20 dB
- Male connector TV, male connector FM,
- SAT connector IEC 60169-24 (F type),
- Connection attenuation <2 dB, coupling attenuation TV/FM >20 dB

PRESTIGE line



Za ugradnju u višestruke maske proizvodi PRESTIGE LINE isporučuju se bez pripadajuće maske i međurama, čime je omogućeno da korisnik sam kombinuje boje i grupisanje komponenti. Uz svaki mehanizam isporučuje se taster ili blok u standardnim bojama.

For the installation into the multiple masks, the products of PRESTIGE LINE are supplied without the pertaining frame and interframe thus enabling the user to make the combination of colours and grouping of components. Each mechanism is supplied with button or the block in standard colours.



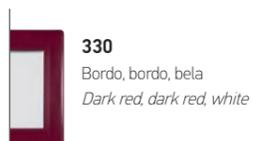
00

Bela maska sa imitacijom međurama
White frame with interframe imitation



220

Grafit, grafit, bela
Graphite, graphite, white



330

Bordo, bordo, bela
Dark red, dark red, white



E1E1

Soft Touch



S2S

Srebrna, grafit, srebrna
Silver, graphite, silver



212

Grafit, siva, grafit
Graphite, grey, graphite



99

Krem
Beige

- Usaglašeno sa IEC 60669-1,
- Ugradnja u zid u montažnu kutiju Ø60 pomoću stegača ili vijaka

- Complied with IEC 60669-1,
- Wall mounted into the installation box Ø60 by clamps or screws



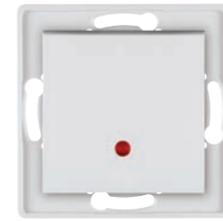
6005.x

Sklopka jednopolna
10AX/250V~
*Single-pole switch
10AX/250V~*



6009.x

Taster sklopka za svetlo
bez indikacije
10AX/250V~
*Light push-button switch
without indication
10AX/250V~*



6027.x

Sklopka naizmjenična
sa indikacijom 10AX/250V~
*Alternative switch
with indication 10AX/250V~*

- Indikacija svetli kada je strujno kolo otvoreno
- *Indication turns on when the circuit is open*



6000.x

Priključnica dvopolna 16A/250V~
sa porcelanskim jezgrom
*Double-pole socket outlet
16A/250V~ with porcelain insert*



60052.x

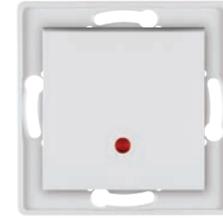
Sklopka dvopolna
10AX/250V~
*Double-pole switch
10AX/250V~*



60091.x

Taster sklopka za svetlo
sa indikacijom 10AX/250V~
*Light push-button switch
with indication 10AX/250V~*

- Indikacija svetli kada je sklopka isključena
- *Indication turns on when the switch is off*



6028.x

Sklopka ukrсна
sa indikacijom 10AX/250V~
*Cross switch
with indication 10AX/250V~*

- Indikacija svetli kada je strujno kolo otvoreno
- *Indication turns on when the circuit is open*



6001.x

Priključnica dvopolna 16A/250V~
sa porcelanskim jezgrom
i zaštitom od dodira
*Double-pole socket outlet
16A/250V~ with porcelain insert
and touch protection*



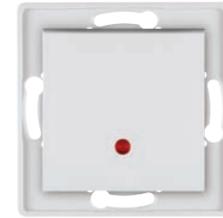
6006.x

Sklopka serijska
10AX/250V~
*Serial switch
10AX/250V~*



6010.x

Taster sklopka za zvono
bez indikacije
10AX/250V~
*Bell push-button switch
without indication
10AX/250V~*



6019.x

Sklopka jednopolna
sa indikacijom 16AX/250V~
*Single-pole switch
with indication 16AX/250V~*

- Indikacija svetli kada je strujno kolo otvoreno
- *Indication turns on when the circuit is open*



6030.x

Priključnica dvopolna 16A/250V~
sa polikarbonatskim jezgrom
*Double-pole socket outlet 16A/250V~
with polycarbonate insert*



6007.x

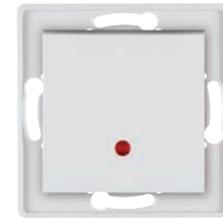
Sklopka naizmjenična
10AX/250V~
*Alternative switch
10AX/250V~*



60101.x

Taster sklopka za zvono
sa indikacijom 10AX/250V~
*Bell push-button switch
with indication 10AX/250V~*

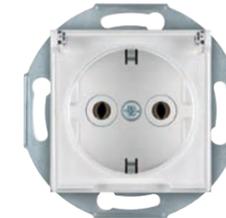
- Indikacija svetli kada je sklopka isključena
- *Indication turns on when the switch is off*



60191.x

Sklopka jednopolna
indikatorska 16AX/250V~
*Single-pole switch
with indication 16AX/250V~*

- Indikacija svetli kada je sklopka uključena
- *Indication turns on when the switch is on*



6003.x

Priključnica dvopolna
sa poklopcem 16A/250V~
sa porcelanskim jezgrom
*Double-pole socket outlet
with cover 16A/250V~
with porcelain insert*



60072.x

Sklopka naizmjenična
dvostruka 10AX/250V~
*Alternative switch double
10AX/250V~*



6025.x

Sklopka jednopolna
sa indikacijom 10AX/250V~
*Single-pole switch
with indication 10AX/250V~*

- Indikacija svetli kada je sklopka isključena
- *Indication turns on when the switch is off*



60075.x

Taster sklopka za roletne
10AX 250V~
*Push-button shutters switch
10AX 250V~*

- Upravljanje kretanjem elektromotora za roletne u dva smera
- *Control of shutters' electric motor movement in two directions*



6033.x

Priključnica dvopolna
sa poklopcem 16A/250V~
sa polikarbonatskim jezgrom
*Double-pole socket outlet
with cover 16A/250V~
with polycarbonate insert*

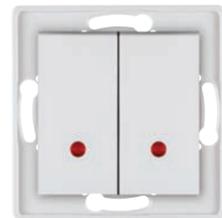


6008.x

Sklopka ukrсна
10AX/250V~
*Cross-switch
10AX/250V~*

60090.x

Taster sklopka
10AX/250V~
*Push-button switch
10AX/250V~*



6026.x

Sklopka serijska
sa indikacijom 10AX/250V~
*Serial switch
with indication 10AX/250V~*

- Indikacija svetli kada je sklopka isključena
- *Indication turns on when the switch is off*



6035.x

Priključnica dvopolna 16A/250V~
Francuski standard
*Double-pole socket outlet 16A/250V~
French standard*

- Usaglašeno sa NF C 61-314
- *Complied with NF C 61-314*



60350.x

Priključnica dvopolna 16A/250V~
sa zaštitom od dodira
Francuski standard
*Double-pole socket outlet 16A/250V~
with touch protection
French standard*

- Usaglašeno sa NF C 61-314
- *Complied with NF C 61-314*

- Usaglašeno sa IEC 60669-2-1
- Ugradnja u zid u montažnu kutiju Ø60 pomoću stegača ili vijaka

- Complied with IEC 60669-2-1
- Wall mounted into the installation box Ø60 by clamps or screws

- Usaglašeno sa IEC 60603-7,
- Ugradnja u zid u montažnu kutiju Ø60 pomoću stegača ili vijaka

- Complied with IEC 60603-7,
- Wall mounted into the installation box Ø60 by clamps or screws

- Usaglašeno sa IEC 60169-2,
- Ugradnja u zid u montažnu kutiju Ø60 pomoću stegača ili vijaka

- Complied with IEC 60169-2,
- Wall mounted into the installation box Ø60 by clamps or screws



6017.x

Regulator jačine svetlosti sa naizmeničnom sklopkom 40-400VA, 230V~/50Hz
Dimmer with alternative switch 40-400VA, 230V~/50Hz

- Za sijalice sa užarenim vlaknom i halogene sijalice sa standardnim transformatorom,
- For incandescent filament lamps and halogen lamps with standard transformer



6011.x

Priključnica telefonska dvostruka RJ12 6/2 sa dve odvojene linije
Double telephone socket RJ12 6/2 with two separate lines



6014.x

Priključnica komunikacijska sa Keystone modulima dvostruka RJ45 Cat5e UTP
Data socket double with Keystone modules RJ45 Cat5e UTP



6012I.x

Priključnica antenska TV završna za individualne sisteme
TV aerial socket for individual systems

- Muški konektor,
- Odvodno slabljenje signala <1 dB
- Male connector,
- Connection attenuation <1 dB



60173.x

Regulator jačine svetlosti sa rotacionom jednopolnom sklopkom 40-400VA, 230V~/50Hz
Dimmer with rotary single-pole switch 40-400VA, 230V~/50Hz

- Za sijalice sa užarenim vlaknom i halogene sijalice sa standardnim transformatorom,
- For incandescent filament lamps and halogen lamps with standard transformer



6013.x

Priključnica telefonska dvostruka RJ12 6/4 sa dve spojene linije
Double telephone socket RJ12 6/4 with two connected lines



6014S.x

Priključnica komunikacijska sa Keystone modulima dvostruka RJ45 Cat5e FTP
Data socket double with Keystone modules RJ45 Cat5e FTP



6012Z.x

Priključnica antenska TV/FM završna
TV/FM aerial socket terminal

- Muški konektor TV, ženski konektor FM,
- Odvodno slabljenje <2 dB, sprega TV/FM >20 dB
- Male connector TV, female connector FM,
- Connection attenuation <2 dB, coupling attenuation TV/FM >20 dB



60175.x

Regulator jačine svetlosti za LED, 100W
Dimmer for LED, 100W

- Univerzalni elektronski regulator za sve vrste sijalica;
- Osnovna namena za CFL i LED dimabilne sijalice 0-100W;
- Usaglašeno sa IEC 60669-2-1
- Universal dimmer for all types of bulbs;
- The main purpose for dimmable CFL and LED bulbs 0-100W;
- Complied with IEC 60669-2-1



60131.x

Priključnica telefonska dvostruka sa Keystone modulima RJ 12 6/6 Cat 3
Double telephone socket with Keystone modules RJ12 6/6 Cat 3

- Montaža provodnika bez upotrebe alata
- Toolless conducting wire installation



6015.x

Priključnica komunikacijska sa Keystone modulima dvostruka RJ45 Cat6 UTP
Data socket double with Keystone modules RJ45 Cat6 UTP



6012P.x

Priključnica antenska TV/FM prolazna
TV/FM aerial socket transient

- Muški konektor TV, ženski konektor FM,
- Prolazno slabljenje 4 dB, odvodno 6 dB, sprega TV/FM >20 dB
- Male connector TV, female connector FM,
- Throughpass attenuation 4 dB, connection atten. 6 dB, coupling TV/FM >20 dB

- Usaglašeno sa EN 60950-1 EMC direktivom;
- Ugradnja u zid u montažnu kutiju Ø60 pomoću stegača ili vijaka

- Complied with EN 60950-1 and EMC directive;
- Wall mounted into the installation box Ø60 by clamps or screws



60161.x

USB punjač 2xUSB 2,1A 5V=
2xUSB charger 2,1A 5V=

- Za punjenje elektronskih uređaja putem standardnog USB porta;
- Punjenje dva uređaja istovremeno;
- For charging of electronic devices via standard USB port;
- Enables charging of two devices simultaneously;
- Complied with EN 60950-1 and EMC directive;



60162.x

Priključnica USB/USB Keystone
USB/USB socket Keystone

- Za konekciju USB uređaja i kablova (nije punjač);
- Podržava USB 2.0 standard;
- For connection of USB devices and cables (not charging unit);
- Supports USB 2.0 standard;



60163.x

Priključnica HDMI/HDMI Keystone
HDMI/HDMI socket Keystone

- Za konekciju kablova za prenos signala preko HDMI priključka;
- For the transmission of signal through HDMI connector;



6016.x

Priključnica komunikacijska sa Keystone modulom RJ45 Cat 6A UTP
Data socket with Keystone module RJ45 Cat 6A UTP

- Montaža provodnika bez upotrebe alata
- Spajanje prema TIA/EIA-568A ili 568B standardu za raspored parica
- Tool - less conducting wire installation
- Wiring according to TIA/EIA-568A or 568B standard for the arrangement of pairs



6016S.x

Priključnica komunikacijska sa Keystone modulom RJ45 Cat 6A FTP
Data socket with Keystone module RJ45 Cat 6A FTP (shielded)

- Montaža provodnika bez upotrebe alata
- Spajanje prema TIA/EIA-568A ili 568B standardu za raspored parica
- Tool - less conducting wire installation
- Wiring according to TIA/EIA-568A or 568B standard for the arrangement of pairs

PRESTIGE line

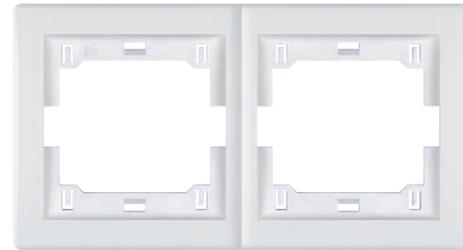
MASKE I MEĐURAMOVI COVER FRAMES AND INTERFRAMES

- Usaglašeno sa IEC 60669-1 i IEC 60884-1,
- Za ugradnju na PRESTIGE LINE mehanizme ugrađene u zid u nizajuće dozne za višestruke maske (osno rastojanje 71 mm)
- Complied with IEC 60669-1 and IEC 60884-1,
- For mounting onto PRESTIGE LINE mechanisms wall mounted in a sequence of boxes for multiple masks (axial distance 71 mm)

 Bela White	x = 0	 Grafit Graphite	x = 2	 Krem Beige	x = 9
 Soft Touch	x = E1	 Bordo Dark red	x = 3	 Silver Silver	x = S



6801.x
Maska jednostruka
PRESTIGE LINE
*One-gang frame
PRESTIGE LINE*



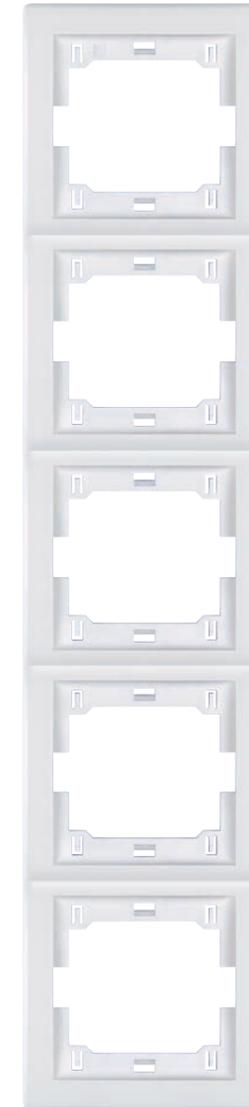
6701.x
Maska dvostruka
PRESTIGE LINE
horizontalna
*Two-gang frame
PRESTIGE LINE
horizontal*



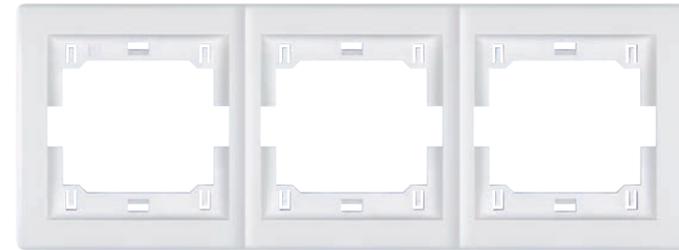
6711.x
Maska dvostruka
PRESTIGE LINE
vertikalna
*Two-gang frame
PRESTIGE LINE
vertical*



6713.x
Maska trostruka
PRESTIGE LINE
vertikalna
*Three-gang frame
PRESTIGE LINE
vertical*



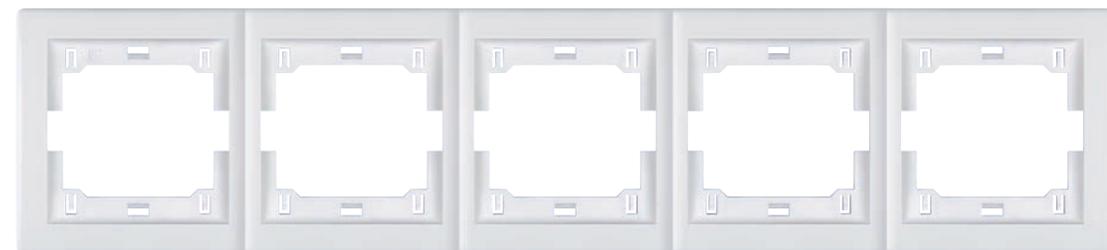
6715.x
Maska petostruka
PRESTIGE LINE
vertikalna
*Five-gang frame
PRESTIGE LINE
vertical*



6703.x
Maska trostruka
PRESTIGE LINE
horizontalna
*Three-gang frame
PRESTIGE LINE
horizontal*



6704.x
Maska četvorostruka
PRESTIGE LINE
horizontalna
*Four-gang frame
PRESTIGE LINE
horizontal*



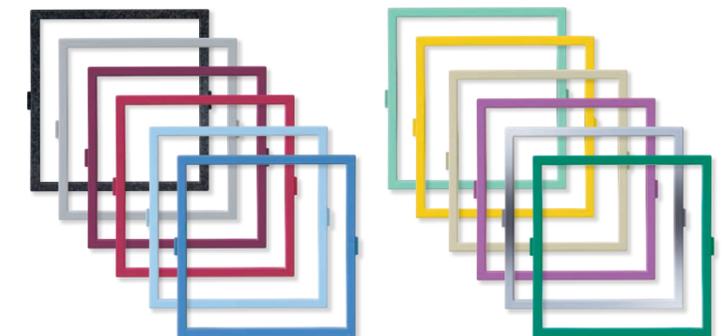
6705.x
Maska petostruka
PRESTIGE LINE
horizontalna
*Five-gang frame
PRESTIGE LINE
horizontal*



6802.x
Međuram PRESTIGE LINE
Interframe PRESTIGE LINE

- Usaglašeno sa IEC 60669-1 i IEC 60884-1,
- Za ugradnju na PRESTIGE LINE maske kao ukrasni element
- Complied with IEC 60669-1 and IEC 60884-1,
- For mounting onto PRESTIGE LINE frames, like decorative element

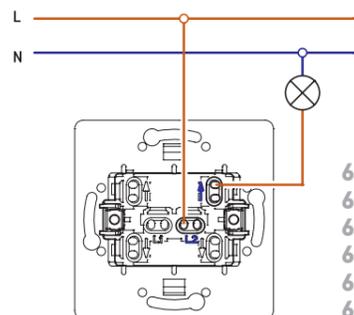
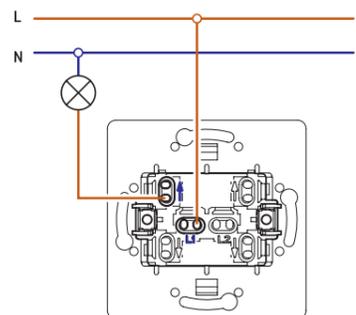
Beli	6802.0	White
Sivi	6802.1	Grey
Grafit	6802.2	Graphite
Bordo	6802.3	Dark red
Crveni	6802.4	Red
Svetlo plavi	6802.5	Light blue
Teget	6802.6	Navy-blue
Svetlo zeleni	6802.7	Light green
Žuti	6802.8	Yellow
Krem	6802.9	Beige
Roze	6802.10	Pink
Zeleni	6802.12	Green
	6802.E1	Soft Touch





PRESTIGE line

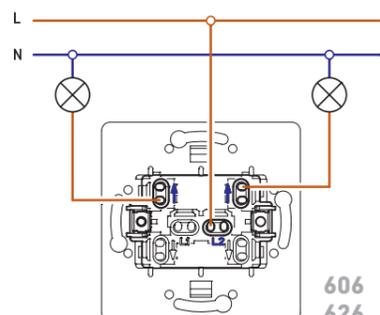
ŠEME VEZIVANJA WIRING DIAGRAMS



605
6091
610
6101
625
619

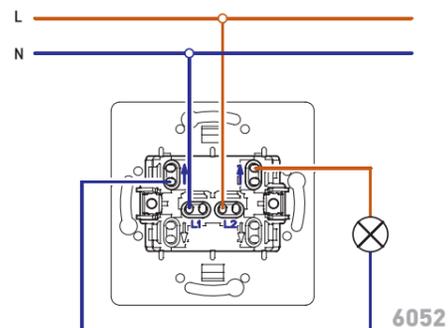
Jednopolna sklopka ima dve izvedbe sklapanja (leva i desna) i u skladu s tim se povezuju priključni provodnici.

Single-pole switch is supplied in two wiring executions (left and right) and the conductors are connected accordingly.



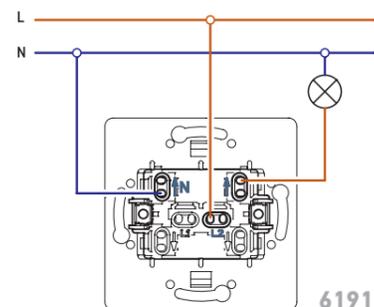
606
626

Serijska sklopka
Serial switch



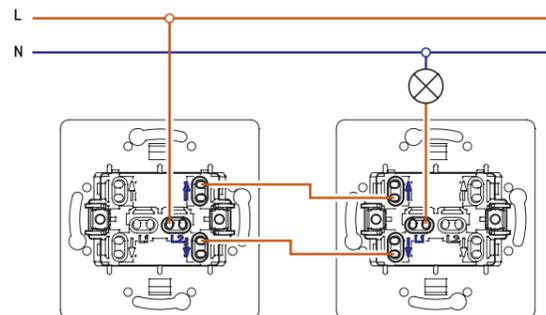
6052

Dvopolna sklopka
Double pole switch



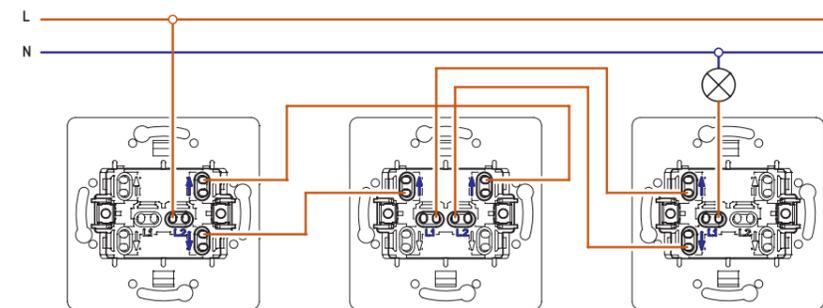
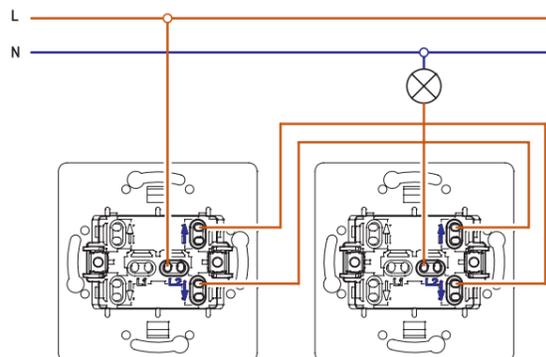
6191

Jednopolne indikatorske sklopke (indikacija svetli kada je sklopka uključena) za povezivanje zahtevaju nulti provodnik
Single-pole indication switches (indication turns on when the switch is on) require neutral conductor to be wired.



E607
E6072
E627

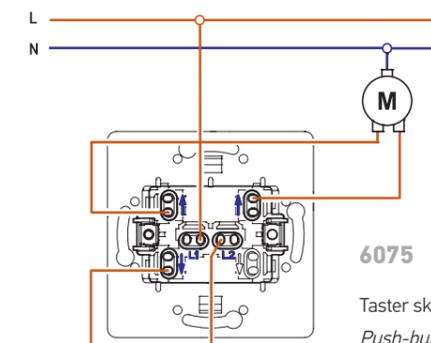
Naizmjenična sklopka, dve izvedbe sklapanja (leva i desna)
Alternative switch, two wiring executions (left and right)



608
628

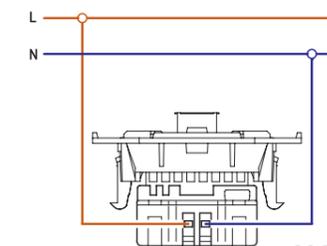
Ukrsna sklopka se povezuje u kombinaciji sa naizmjeničnim sklopkama. Može se povezati neograničen broj ukrasnih sklopki u kombinaciji sa dve naizmjenične.

Cross-switch is wired in combination with alternative switches. The unlimited number of cross switches may be wired in combination with two alternative switches.



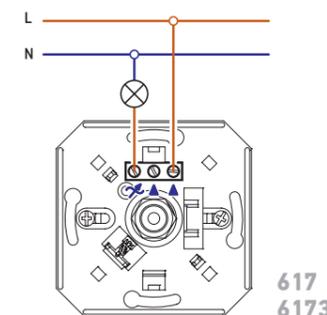
6075

Taster sklopka za roletne
Push-button shutters switch

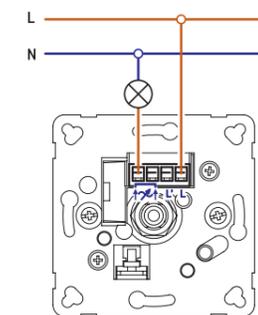


6161

USB punjač
USB charger



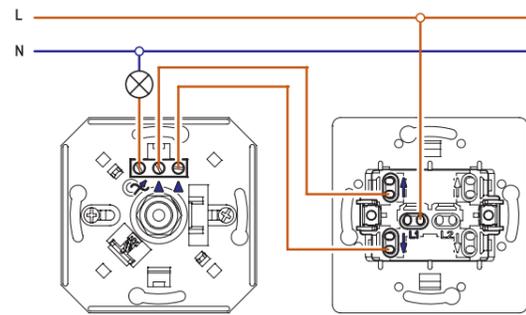
617
6173



6175

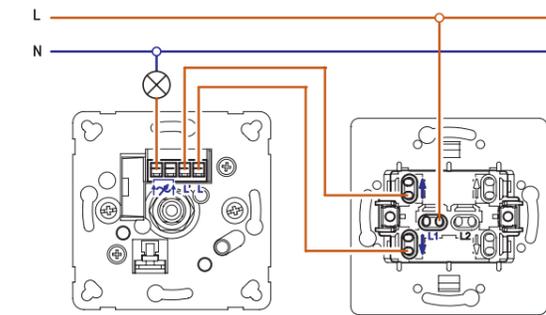
Povezivanje regulatora jačine svetlosti sa naizmjeničnom sklopkom kao jednopolne sklopke i regulatora sa rotacionom jednopolnom sklopkom.

Wiring of dimmer with alternative switch as a single-pole switch and the dimmer with rotary single-pole switch.



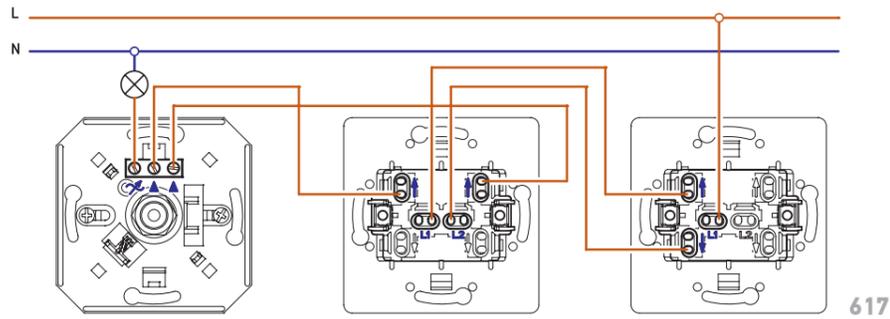
617

Regulator jačine svetlosti sa naizmjeničnom sklopkom može se povezati i u kombinaciji sa naizmjeničnom sklopkom za regulaciju sa jednog mesta i uključivanje i isključivanje sa dva mesta. Međusobno povezivanje više regulatora nije moguće.



6175

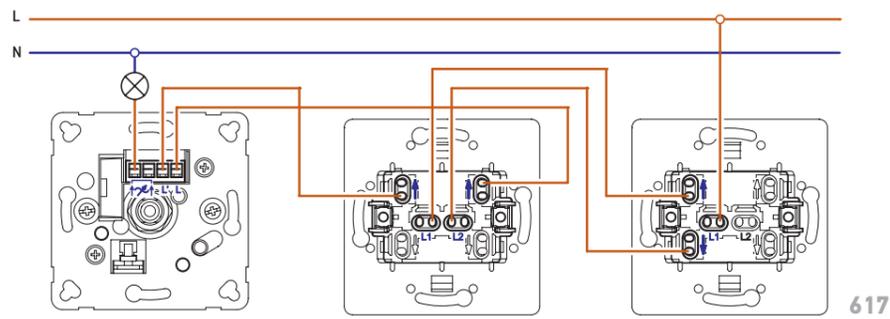
Dimmer with alternative switch may be also wired in combination with alternative switch for the regulation from one place and switching on and off from two places. Inter-wiring of more regulators is not possible.



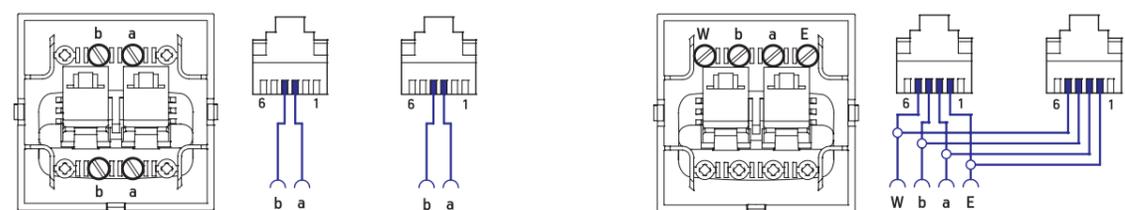
617

Kombinacijom regulatora sa naizmeničnom sklopkom i ukrsne i naizmenične sklopke omogućava se uključivanje i isključivanje sa proizvoljan broj mesta.

The combination of dimer with alternative switch and cross and alternative switch provides the switching on and off from the desirable number of places.



6175



Telefonske priključnice sa standardnim RJ12 konektorima u saglasnosti sa IEC 60603-7 u kombinaciji 2 x 6/2 i 2 x 6/4 kontakta. Povezivanje se vrši prema priloženim šemama gde su kontakti a i b osnovna linija, a W i E kontakti druge parice za analogni terminal (prema internacionalnom standardu).

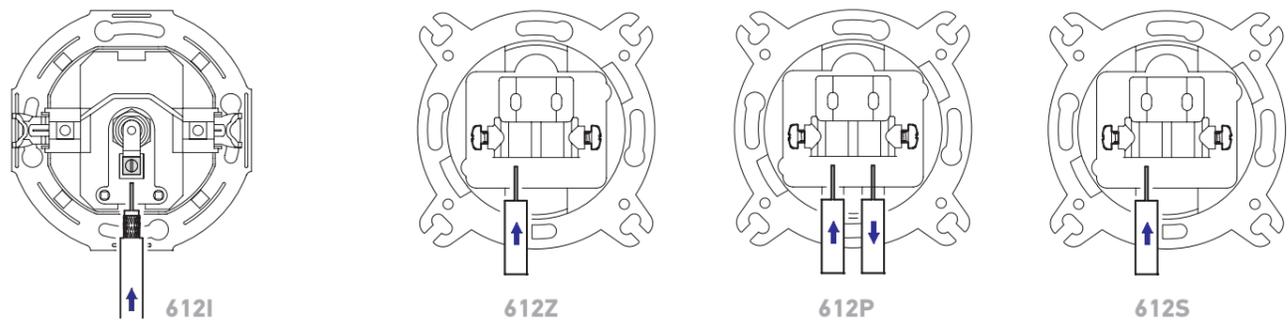
Telephone sockets with standard RJ12 connectors in compliance with IEC 60603-7 in combination of 2 x 6/2 and 2 x 6/4 contacts. The wiring is carried out in accordance with wiring diagrams where the contacts a and b represent the basic line while W and E are the contacts of the second pair for analogue terminal (according to international standard).



Pripremljen antenski kabal priključujemo pritezanjem u priključnu stezaljku i stezanjem oklopa kabla priteznom papučicom prema datim šemama.

Prepared aerial cable may be installed into terminal and shield tightened by tightening clamp according showed scheme.

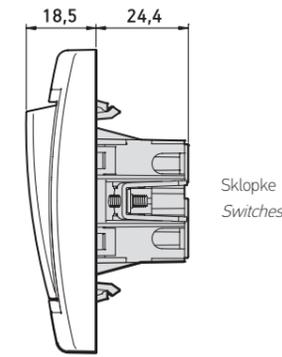
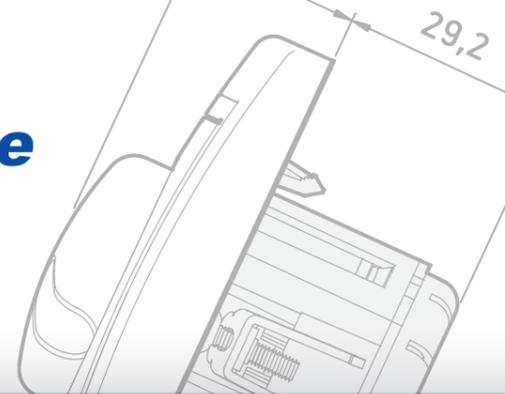
Antenski kabal za priključenje na antenske priključnice potrebno je pripremiti prema prikazanoj šemi da bi se postigao siguran kontakt, jednostavno postavljanje i onemogućio eventualni kratak spoj.
For safe contact, simple instaling and short-circuit disabling cable for aerial socket wiring must be prepared according showed scheme.



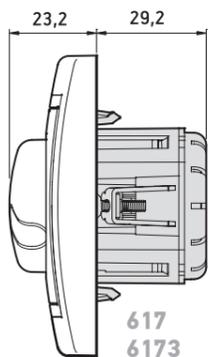
PRESTIGE line

DIMENZIJE ZA UGRADNJU INSTALATION DIMENSIONS

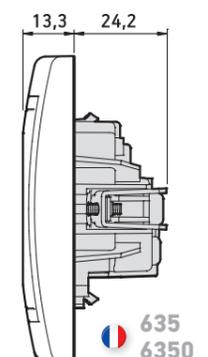
- Osnova maske 80x80mm
- Cover frame base 80x80mm



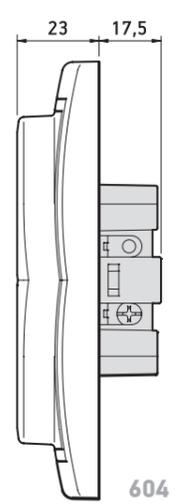
Sklopke
Switches



617
6173

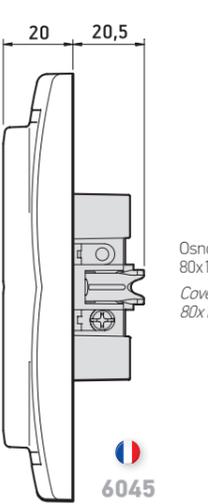


635
6350



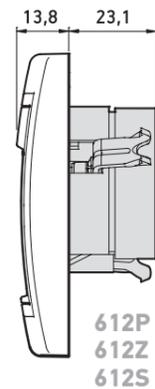
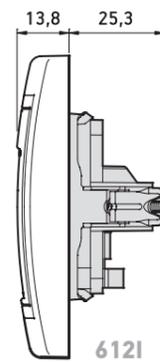
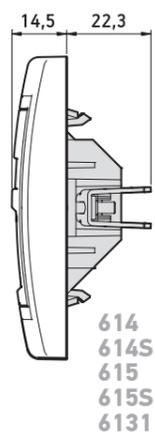
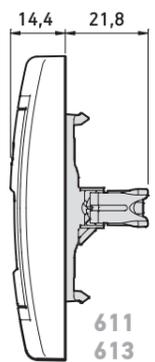
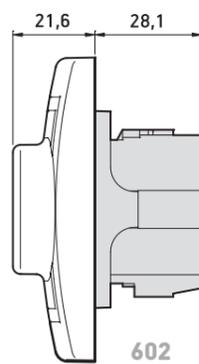
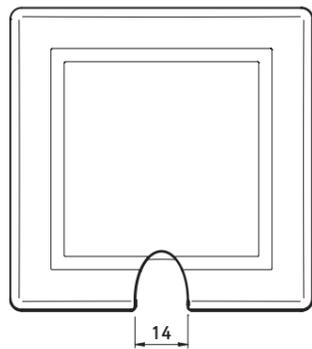
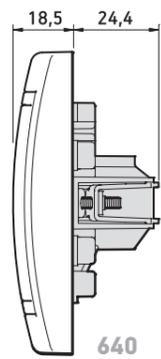
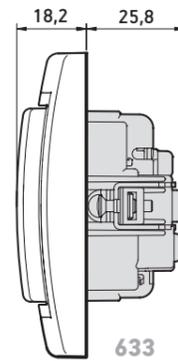
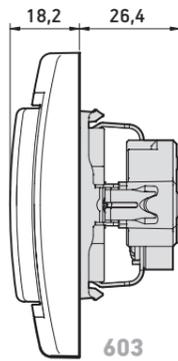
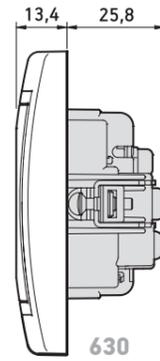
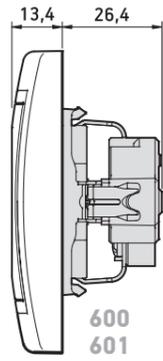
Osnova maske
80x123mm
Cover frame base
80x123mm

604



Osnova maske
80x123mm
Cover frame base
80x123mm

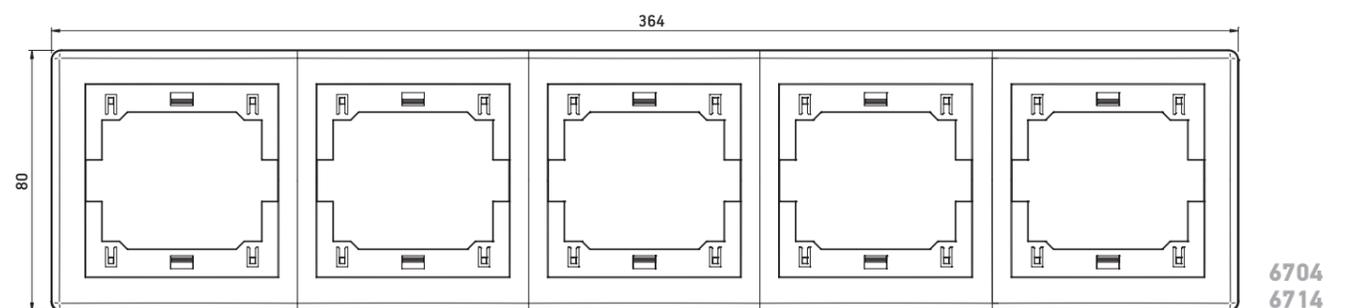
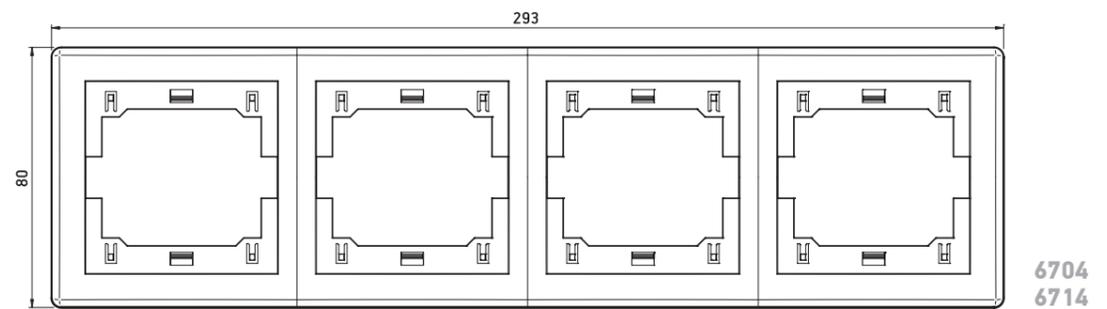
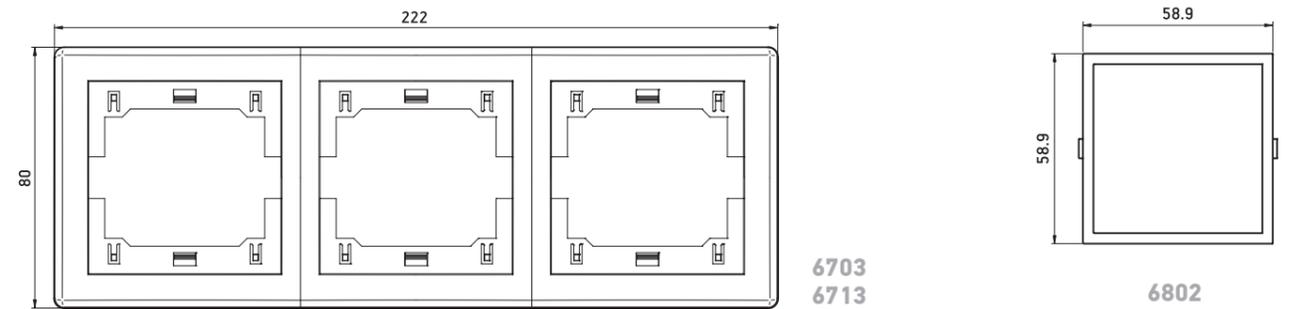
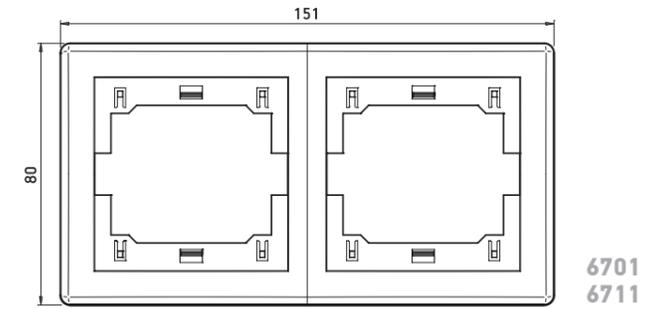
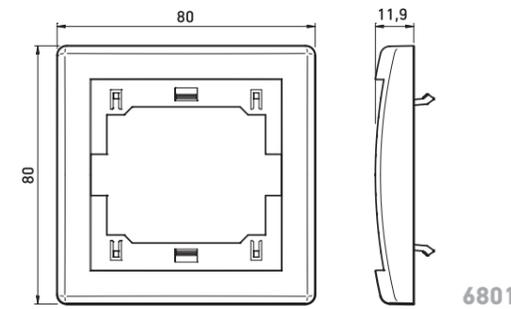
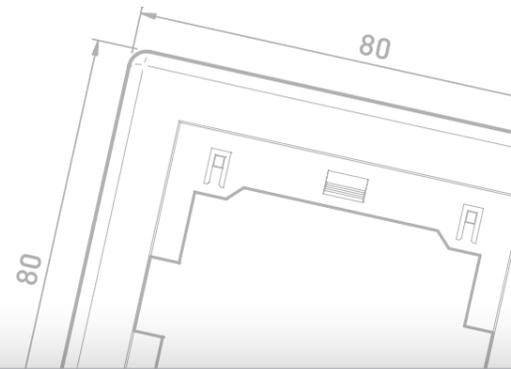
6045



PRESTIGE line

TEHNIČKI CRTEŽI TECHNICAL DRAWINGS

- Osnova maske 80x80mm
- Cover frame base 80x80mm



SADRŽAJ KATALOGA

PRESTIGE line

THE CATALOG CONTENT

- 6 TEHNIČKE PREDNOSTI
TECHNICAL ADVANTAGES
- 7 BOJE PREDNJIH ELEMENATA
FRONT ELEMENTS COLORS
- 8 STANDARDNE BOJE
STANDARD COLORS
- 10 SKLOPKE
SWITCHES
- 12 ELEKTRONIKA
ELECTRONICS
- 13 PRIKLJUČNICE
SOCKET OUTLETS
- 15 KOMUNIKACIJE
COMMUNICATIONS
- 17 MEHANIZMI BEZ MASKE I MEĐURAMA
MECHANISMS WITHOUT COVER FRAME AND INTERFRAME
- 22 MASKE I MEĐURAMOVI
COVER FRAMES AND INTERFRAMES
- 24 ŠEME VEZIVANJA
WIRING DIAGRAMS
- 27 DIMENZIJE ZA UGRADNJU
INSTALLATION DIMENSIONS
- 29 TEHNIČKI CRTEŽI
TECHNICAL DRAWINGS

PRESTIGE line





ALING-CONEL

a: Železnička 10, 21432 Gajdobra, Serbia
t: +381 21 762 674, 762 586
f: +381 21 762 779
e: sales@aling-conel.com
www.aling-conel.com