



Signo 155 LED

Accent downlights with a tilt (and rotation)



The Signo LED family offers the perfect solution for display lighting within retail applications. With the newly upgraded **Signo 155 LED** we provide a vastly improved performance while retaining the renowned Signo 155 design.

The **Signo 155 LED** offers a high lumen package of 3,750 lumens (at 4,000K) and with its complete die cast aluminium body provides fantastic thermal management producing high energy efficacy.

With its unique friction system inside the housing, the **Signo 155 LED** is able to provide optimal adjustment with no risk of the heads tilt angle changing over time.

Additionally with 60° tilt and 355° rotation, the **Signo 155 LED** is able to illuminate a changing application environment. The range is offered including an electronic driver and is offered in both 3,000K and 4,000K CCT options.

Signo 155 LED Accent downlights with a tilt (and rotation)

FEATURES:

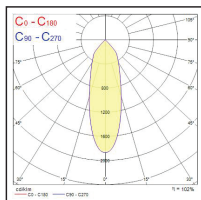
- Adjustable recessed 'elbow' downlight perfect for retail applications
- Unique friction system inside the housing for optimal adjustment
- 60° tilt and 355° rotation
- High Output LED version with up to 3,750lm (luminaire lumen output for 4,000K version), equating to 94lm/W.
- Choice of 3,000K (Warm white) or 4,000K (Neutral white)
- Complete die cast aluminium housing providing excellent thermal management and high efficacy
- Low recess depth of 140mm
- Secure installation with three spring system
- Energy class: A++, A+, A
- LED technology provides an energy efficient solution with reduced maintenance costs



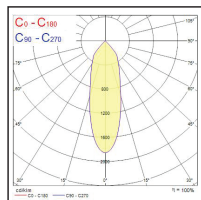
Item code	Description	Ceiling cut-out (mm)	Colour name	Beam Angle (°)	Colour Temperature (K)	CRI	Drive current (mA)	Total system power consumption (W)	Luminaire lumen output (lm)	Lumen / Watt (lm/W)
3040051	SIGNO 155 LED HO 40W WW WH	155	Warm White	36	3,000	80	1,000	40	3,500	88
3040052	SIGNO 155 LED HO 40W NW WH	155	Neutral White	36	4,000	80	1,000	40	3,750	94

Legend: HO = High Output; WW = Warm White; NW = Neutral White; WH = White

Photometric data

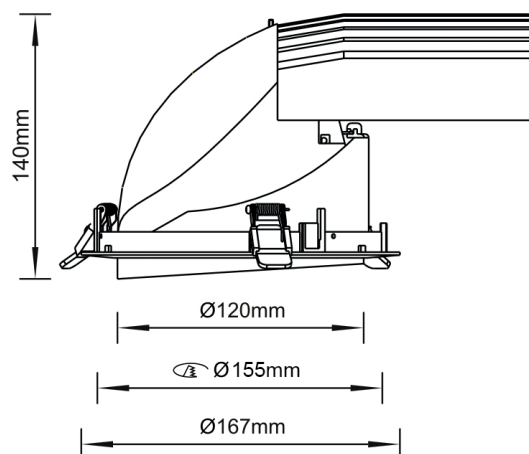


Neutral white - 4,000K



Warm white - 3,000K

Dimension (mm)



Copyright Feilo Sylvania June 2016

www.feilosylvania.com

T: F:
Email:

Although every effort has been made to ensure accuracy in the compilation of the technical detail within this publication, specifications and performance data are constantly changing. Current details should therefore be checked with Feilo Sylvania Europe Ltd.

by **FEILO SYLVANIA**