

# PRODUCT DATASHEET

## P MR16 50 36° 7.8 W/3000 K GU5.3

PARATHOM MR16 DIM | Dimmable low-voltage LED reflector lamps MR16 with retrofit pin base



---

### AREAS OF APPLICATION

- Shops
- Hospitality
- Museums, art galleries
- Residential interiors
- As a downlight for marking walkways, doors, stairs, etc.
- Spotlighting for accents
- Display cabinets and shop windows
- Spotlighting heat-sensitive objects such as food, plants, etc.
- Outdoor applications only in suitable luminaires

---

### PRODUCT BENEFITS

- Very long lifetime of up to 25,000 h
- Low energy consumption
- High color consistency thanks to narrow binning
- Easy replacement of halogen lamps due to compact full glass design and single optic
- Ideal for economical spotlighting

---

### PRODUCT FEATURES

- Professional LED alternative to low voltage halogen lamps
- Good quality of light; color rendering index  $R_a \geq 80$
- High color consistency:  $\leq 5$  SDCM
- Dimmable (with many common dimmers, see also [www.ledvance.com/dim](http://www.ledvance.com/dim))
- Made in Germany (versions up to 35 W)
- Mercury-free lamps



**TECHNICAL DATA**

## Electrical data

<b>Rated wattage</b>	7.80 W
<b>Nominal wattage</b>	7.80 W
<b>Nominal voltage</b>	12 V
<b>Claimed equiv. conventional lamp power</b>	50 W
<b>Power factor <math>\lambda</math></b>	0.89

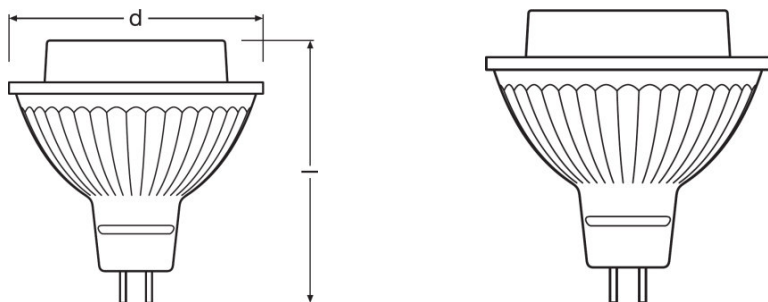
## Photometrical data

<b>Luminous intensity [PIM]</b>	1430 cd
<b>Nominal luminous flux</b>	621 lm
<b>Rated luminous flux</b>	621 lm
<b>Rated color temperature</b>	3000 K
<b>Lumen main.fact.at end of nom.life time</b>	0.70
<b>Light color (designation)</b>	Warm White
<b>Color temperature</b>	3000 K
<b>Luminous flux</b>	621 lm
<b>Color rendering index Ra</b>	$\geq 80$
<b>Standard deviation of color matching</b>	$\leq 5$ sdc <sub>m</sub>
<b>Color rendering index Ra</b>	$\geq 80$
<b>Nominal useful luminous flux 90°</b>	621 lm
<b>Rated useful luminous flux 90°</b>	621 lm
<b>Rated peak intensity</b>	1430 cd

## Light technical data

<b>Beam angle</b>	36 °
<b>Warm-up time (60 %)</b>	1.00 s
<b>Starting time</b>	0.0 s
<b>Nominal beam angle</b>	36 °
<b>Rated beam angle (half peak value)</b>	36.00 °

Dimensions & weight



<b>Overall length</b>	53.0 mm
<b>Diameter</b>	51.0 mm
<b>Outer bulb</b>	MR51
<b>Length</b>	53.0 mm
<b>Maximum diameter</b>	51.0 mm

Temperatures & operating conditions

<b>Maximum temperature at tc test point</b>	90 °C
---	-------

Lifespan

<b>Nominal lamp life time</b>	25000 h
<b>Rated lamp life time</b>	25000 h
<b>Number of switching cycles</b>	100000

Additional product data

<b>Base (standard designation)</b>	GU5.3
<b>Mercury content</b>	0.0 mg
<b>Mercury-free</b>	Yes
<b>Show WEEE picto</b>	Yes
<b>Product remark</b>	All technical parameters apply to the entire lamp/Due to the complex production process for light-emitting diodes, the typical values shown for the technical LED parameters are purely statistical values that do not necessarily match the actual technical parameters of each individual product, which can vary from the typical value

Capabilities

<b>Dimmable</b>	Yes
-----------------	-----

Certificates & standards

<b>Energy efficiency class</b>	A+
--------------------------------	----

<b>Energy efficiency class</b>	A+
<b>Energy consumption</b>	8 kWh/1000h

## Country-specific categorizations

<b>ILCOS</b>	DRR-7,8/830-12-GU5,3-50/36
<b>Order reference</b>	LPMR16D5036 7,8

## LOGISTICAL DATA

Product code	Product description	Packaging unit (Pieces/Unit)	Dimensions (length x width x height)	Volume	Gross weight
4052899957695	P MR16 50 36° 7.8 W/3000 K GU5.3	Shipping carton box 10	255 mm x 107 mm x 72 mm	1.96 dm <sup>3</sup>	782.00 g

The mentioned product code describes the smallest quantity unit which can be ordered. One shipping unit can contain one or more single products. When placing an order, for the quantity please enter single or multiples of a shipping unit.

## REFERENCES / LINKS

For dimming conformity see

▶ [www.ledvance.com/dim](http://www.ledvance.com/dim)

For further products and actual information concerning LED lamps see

▶ [www.ledvance.com/ledlamps](http://www.ledvance.com/ledlamps)

For Guarantee see

▶ [www.ledvance.com/guarantee](http://www.ledvance.com/guarantee)

Further information see

▶ [www.ledvance.com/low-voltage-ledlamps](http://www.ledvance.com/low-voltage-ledlamps)

## DISCLAIMER

Subject to change without notice. Errors and omission excepted. Always make sure to use the most recent release.