

# PRODUCT DATASHEET

## ENDURA FLOOD Sensor 30 W 830 DG

ENDURA FLOOD Sensor | LED outdoor floodlight luminaires with sensor



---

### AREAS OF APPLICATION

- Outdoor
- Replacement for floodlights with halogen lamps
- Garages
- Undercabinet lighting

---

### PRODUCT BENEFITS

- Optimized weight and size due to compact design
- Very homogenous light
- Energy-efficient thanks to LED technology

---

### PRODUCT FEATURES

- Very bright and functional outdoor LED luminaires
- Type of protection: IP44
- Die-cast aluminum housing
- Available in two housing colors: white and dark gray
- Connection via 1 m cable, wiring required
- Adjustable IR daylight and presence sensor with a detection range of up to 9 m



**TECHNICAL DATA**

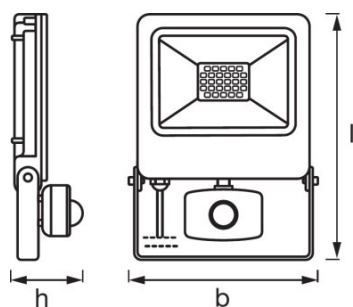
Electrical data

<b>Nominal wattage</b>	30.00 W
<b>Nominal voltage</b>	220...240 V
<b>Mains frequency</b>	50/60 Hz

Photometrical data

<b>Color temperature</b>	3000 K
<b>Color rendering index Ra</b>	>80
<b>Light color (designation)</b>	Warm White
<b>Luminous flux</b>	2400 lm
<b>Luminous efficacy</b>	80 lm/W

Dimensions & weight



<b>Length</b>	212.0 mm
<b>Width</b>	163.0 mm
<b>Height</b>	61.0 mm
<b>Product weight</b>	720.00 g

Colors & materials

<b>Body material</b>	Aluminum
<b>Housing color</b>	Dark gray
<b>Product color</b>	Dark gray

Temperatures & operating conditions

<b>Ambient temperature range</b>	-10...40 °C
----------------------------------	-------------

Lifespan

<b>Lifespan</b>	25000 h
-----------------	---------

## Additional product data

<b>Mounting location</b>	Wall / Floor
--------------------------	--------------

## Capabilities

<b>Dimmable</b>	No
<b>Type of connection</b>	Cable, 2-pole

## Certificates &amp; standards

<b>Protection class</b>	I
<b>Type of protection</b>	IP44
<b>Standards</b>	CE/EAC

## EQUIPMENT / ACCESSORIES

- Complete mounting and connecting accessories included

## LOGISTICAL DATA

Product code	Product description	Packaging unit (Pieces/Unit)	Dimensions (length x width x height)	Volume	Gross weight
4058075064348	ENDURA FLOOD Sensor 30 W 830 DG	Shipping carton box 8	350 mm x 240 mm x 295 mm	24.78 dm <sup>3</sup>	6402.00 g

The mentioned product code describes the smallest quantity unit which can be ordered. One shipping unit can contain one or more single products. When placing an order, for the quantity please enter single or multiples of a shipping unit.

## DISCLAIMER

Subject to change without notice. Errors and omission excepted. Always make sure to use the most recent release.