

PRODUCT DATASHEET

Battery LED Spotlight Single White

Battery LED Spotlight Single | Outdoor spotlights with single luminaire head



AREAS OF APPLICATION

- Outdoor
- Areas where no power supply is available

PRODUCT BENEFITS

- Demand based lighting and energy saving thanks to motion and daylight sensor
- Independent of power supply due to battery technology
- Energy-efficient thanks to LED technology

PRODUCT FEATURES

- Luminous flux: up to 260 lm
- Integrated light and motion sensor
- Battery life in continuous operation: up to 10 h
- Type of protection: IP54



TECHNICAL DATA

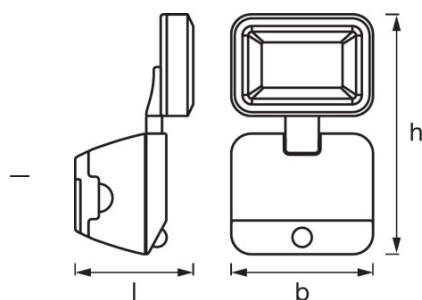
Electrical data

Nominal wattage	4.00 W
Operating mode	Battery
Nominal voltage	6 V
Mains frequency	0 Hz

Photometrical data

Color temperature	4000 K
Color rendering index Ra	≥80
Light color (designation)	Cool White
Luminous flux	260 lm
Luminous efficacy	65 lm/W

Dimensions & weight



Length	127.0 mm
Width	108.0 mm
Height	215.0 mm
Product weight	325.00 g

Colors & materials

Body material	Acrylonitrile butadiene styrene (ABS)
Product color	White
Housing color	White

Temperatures & operating conditions

Ambient temperature range	-20...+30 °C
----------------------------------	--------------

Lifespan

Number of switching cycles	100000
-----------------------------------	--------

Additional product data

Mounting type	Surface
Mounting location	Wall

Capabilities

Dimmable	No
LED module replaceable	Not replaceable

Certificates & standards

Protection class	III
Type of protection	IP54
Standards	CE/EAC/REACH/RoHS

EQUIPMENT / ACCESSORIES

- Mounting screws and dowels included
- Batteries required: 4xD (not included in scope if delivery)

LOGISTICAL DATA

Product code	Packaging unit (Pieces/Unit)	Dimensions (length x width x height)	Gross weight	Volume
4058075227385	Folding carton box 1	127 mm x 142 mm x 200 mm	409.00 g	3.61 dm ³
4058075227392	Shipping carton box 4	302 mm x 272 mm x 227 mm	2245.00 g	18.65 dm ³

The mentioned product code describes the smallest quantity unit which can be ordered. One shipping unit can contain one or more single products. When placing an order, for the quantity please enter single or multiples of a shipping unit.

DISCLAIMER

Subject to change without notice. Errors and omission excepted. Always make sure to use the most recent release.