

# PRODUCT DATASHEET

## ENDURA FLOOD Sensor 30 W 4000 K DG

ENDURA FLOOD Sensor Cool White | Outdoor sensor luminaires in 4000K



---

### AREAS OF APPLICATION

- Outdoor use (IP44)
- Replacement for floodlights with halogen lamps
- Garages
- Building facades

---

### PRODUCT BENEFITS

- Optimized weight and size due to compact design
- Energy savings of up to 80 % compared to halogen lamp floodlights
- Semi-frosted, tempered glass cover for uniform illumination

---

### PRODUCT FEATURES

- Very bright and functional outdoor LED luminaires
- Symmetrical beam angle: 110° x 110°
- Mounting bracket for up to 180° tilting
- Ambient temperature in operation: -10...+40 °C
- Connection via 1 m cable, wiring required
- Adjustable IR daylight and motion sensor with a detection range of up to 9 m



**TECHNICAL DATA**

Electrical data

Nominal wattage	30.00 W
Operating mode	ELECTRONIC CONTROL GEAR (ECG)
Nominal voltage	220...240 V
Mains frequency	50/60 Hz

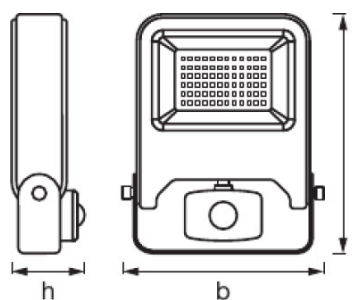
Photometrical data

Color temperature	4000 K
Color rendering index Ra	≥80
Light color (designation)	Cool White
Luminous flux	2700 lm
Luminous efficacy	90 lm/W

Luminaire sensor data

Type of sensor	Light / Motion
Sensor technology	Passive infrared (PIR)
Sensor detection angle	120 °
Detection range of motion sensor	2...9 m
Detection threshold of daylight sensor	20...2000 lx
Sensor controlled switching time	10 s...10 min

Dimensions & weight



Length	223.0 mm
Width	170.0 mm
Height	66.0 mm
Product weight	720.00 g

Colors & materials

<b>Body material</b>	Aluminum
<b>Housing color</b>	Dark gray
<b>Product color</b>	Dark gray
<b>Housing color</b>	Dark gray
<b>Cover material</b>	Glass

### Temperatures & operating conditions

<b>Ambient temperature range</b>	-10...+40 °C
----------------------------------	--------------

### Additional product data

<b>Mounting type</b>	Surface
<b>Mounting location</b>	Wall

### Capabilities

<b>Dimmable</b>	No
<b>Type of connection</b>	Cable, 3-pole
<b>LED module replaceable</b>	Not replaceable

### Certificates & standards

<b>Protection class</b>	I
<b>Type of protection</b>	IP44
<b>Standards</b>	CE/EAC/REACH/RoHS

### LOGISTICAL DATA

Product code	Packaging unit (Pieces/Unit)	Dimensions (length x width x height)	Gross weight	Volume
4058075206762	Folding carton box 1	84 mm x 179 mm x 236 mm	785.00 g	3.55 dm <sup>3</sup>
4058075206779	Shipping carton box 8	370 mm x 350 mm x 255 mm	6789.00 g	33.02 dm <sup>3</sup>

The mentioned product code describes the smallest quantity unit which can be ordered. One shipping unit can contain one or more single products. When placing an order, for the quantity please enter single or multiples of a shipping unit.

### DISCLAIMER

Subject to change without notice. Errors and omission excepted. Always make sure to use the most recent release.