

# PRODUCT DATASHEET

## ENDURA FLOOD Sensor 10 W 3000 K WT

ENDURA FLOOD Sensor Warm White | Outdoor sensor luminaires in 3000K



---

### AREAS OF APPLICATION

- Outdoor use (IP44)
- Replacement for floodlights with halogen lamps
- Garages
- Building facades

---

### PRODUCT BENEFITS

- Optimized weight and size due to compact design
- Energy savings of up to 80 % compared to halogen lamp floodlights
- Semi-frosted, tempered glass cover for uniform illumination

---

### PRODUCT FEATURES

- Very bright and functional outdoor LED luminaires
- Symmetrical beam angle: 110° x 110°
- Mounting bracket for up to 180° tilting
- Ambient temperature in operation: -10...+40 °C
- Available in two housing colors: white and dark gray
- Connection via 1 m cable, wiring required
- Adjustable IR daylight and motion sensor with a detection range of up to 9 m



**TECHNICAL DATA**

Electrical data

Nominal wattage	10.00 W
Operating mode	Mains voltage
Nominal voltage	220...240 V
Mains frequency	50/60 Hz

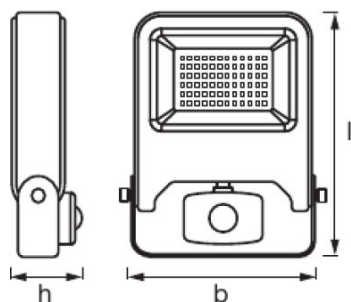
Photometrical data

Color temperature	3000 K
Color rendering index Ra	≥80
Light color (designation)	Warm White
Luminous flux	800 lm
Luminous efficacy	80 lm/W

Luminaire sensor data

Type of sensor	Light / Motion
Sensor technology	Passive infrared (PIR)
Sensor detection angle	120 °
Detection range of motion sensor	2...9 m
Detection threshold of daylight sensor	20...2000 lx
Sensor controlled switching time	10 s...10 min

Dimensions & weight



Length	168.0 mm
Width	108.0 mm
Height	63.0 mm
Product weight	380.00 g

Colors & materials

<b>Body material</b>	Aluminum
<b>Product color</b>	White
<b>Housing color</b>	White

#### Temperatures & operating conditions

<b>Ambient temperature range</b>	-10...+40 °C
----------------------------------	--------------

#### Lifespan

<b>Number of switching cycles</b>	100000
-----------------------------------	--------

#### Additional product data

<b>Mounting type</b>	Surface
<b>Mounting location</b>	Wall

#### Capabilities

<b>Dimmable</b>	No
<b>Type of connection</b>	Cable, 3-pole
<b>LED module replaceable</b>	Not replaceable

#### Certificates & standards

<b>Protection class</b>	I
<b>Type of protection</b>	IP44
<b>Standards</b>	CE/EAC/REACH/RoHS

#### LOGISTICAL DATA

Product code	Packaging unit (Pieces/Unit)	Dimensions (length x width x height)	Gross weight	Volume
4058075292178	Folding carton box 1	84 mm x 117 mm x 182 mm	426.00 g	1.79 dm <sup>3</sup>
4058075292185	Shipping carton box 8	348 mm x 245 mm x 200 mm	4209.00 g	17.05 dm <sup>3</sup>

The mentioned product code describes the smallest quantity unit which can be ordered. One shipping unit can contain one or more single products. When placing an order, for the quantity please enter single or multiples of a shipping unit.

#### DISCLAIMER

Subject to change without notice. Errors and omission excepted. Always make sure to use the most recent release.