

PRODUCT DATASHEET

ENDURA FLOOD Sensor 20 W 3000 K DG

ENDURA FLOOD Sensor Warm White | Outdoor sensor luminaires in 3000K



AREAS OF APPLICATION

- Outdoor use (IP44)
- Replacement for floodlights with halogen lamps
- Garages
- Building facades

PRODUCT BENEFITS

- Optimized weight and size due to compact design
- Energy savings of up to 80 % compared to halogen lamp floodlights
- Semi-frosted, tempered glass cover for uniform illumination

PRODUCT FEATURES

- Very bright and functional outdoor LED luminaires
- Symmetrical beam angle: 110° x 110°
- Mounting bracket for up to 180° tilting
- Ambient temperature in operation: -10...+40 °C
- Available in two housing colors: white and dark gray
- Connection via 1 m cable, wiring required
- Adjustable IR daylight and motion sensor with a detection range of up to 9 m



TECHNICAL DATA

Electrical data

Nominal wattage	20.00 W
Nominal voltage	220...240 V
Mains frequency	50/60 Hz

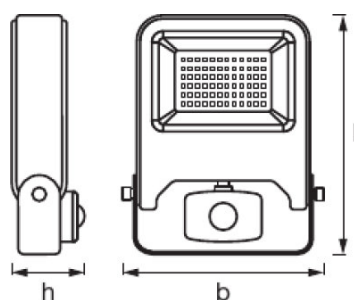
Photometrical data

Color temperature	3000 K
Color rendering index Ra	≥80
Light color (designation)	Warm White
Luminous flux	1700 lm
Luminous efficacy	85 lm/W

Luminaire sensor data

Type of sensor	Light / Motion
Sensor technology	Passive infrared (PIR)
Sensor detection angle	120 °
Detection range of motion sensor	2...9 m
Detection threshold of daylight sensor	20...2000 lx
Sensor controlled switching time	10 s...10 min

Dimensions & weight



Length	189.0 mm
Width	133.0 mm
Height	66.0 mm
Product weight	490.00 g

Colors & materials

Body material	Aluminum
---------------	----------

Housing color	Dark gray
Product color	Dark gray
Housing color	Dark gray

Temperatures & operating conditions

Ambient temperature range	-10...+40 °C
----------------------------------	--------------

Additional product data

Mounting type	Surface
Mounting location	Wall

Capabilities

Dimmable	No
Type of connection	Cable, 3-pole
LED module replaceable	Not replaceable

Certificates & standards

Protection class	I
Type of protection	IP44
Standards	CE/EAC/REACH/RoHS

LOGISTICAL DATA

Product code	Packaging unit (Pieces/Unit)	Dimensions (length x width x height)	Gross weight	Volume
4058075239500	Folding carton box 1	72 mm x 142 mm x 208 mm	539.00 g	2.13 dm ³
4058075239517	Shipping carton box 8	300 mm x 295 mm x 225 mm	4675.00 g	19.91 dm ³

The mentioned product code describes the smallest quantity unit which can be ordered. One shipping unit can contain one or more single products. When placing an order, for the quantity please enter single or multiples of a shipping unit.

DISCLAIMER

Subject to change without notice. Errors and omission excepted. Always make sure to use the most recent release.