

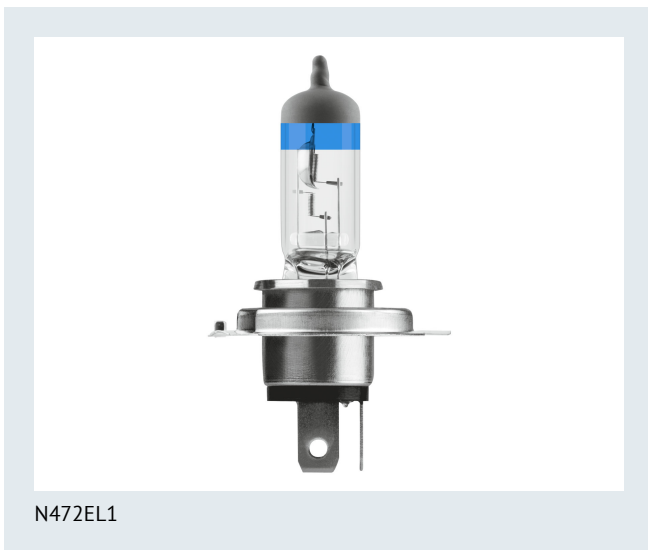


NEOLUX®

GERMAN TECHNOLOGY

Extra Light 60/55W 12V P43T

Car lamps from NEOLUX ensure the roads ahead are well-lit and visible to others.



N472EL1

Product family benefits

- Better visibility
- Remarkable illumination
- Extra light enables drivers to see farther and thereby allows greater reaction time
- Earlier recognition of risks, barriers, and signs
- Affordable

Product family features

- Up to 150% extra light
- Longer light cone
- Higher performance
- More brightness
- Good and reliable quality thanks to German technology

Areas of application

- Headlight
- Ideal for use in clear-glass headlights



N472EL1-2SCB

Product information

Application (Category and Product specific)	Halogen headlight lamp
---	------------------------

Electrical data

Power input	75 W
Test voltage	13.2 V
Nominal wattage	60/55 W
Nominal voltage	12.0 V

Photometrical data

Luminous flux	1650/1000 lm
Luminous flux tolerance	±12 %

Dimensions & weight

Product weight	23.70 g
Length	87.0 mm

Lifespan

Lifespan Tc	500 h
Lifespan B3	250 h

Additional product data

Base (standard designation)	P43t
-----------------------------	------

Capabilities

Technology	Halogen lamp
------------	--------------

Certificates & standards

ECE category	H4
British standard	472

Logistical data

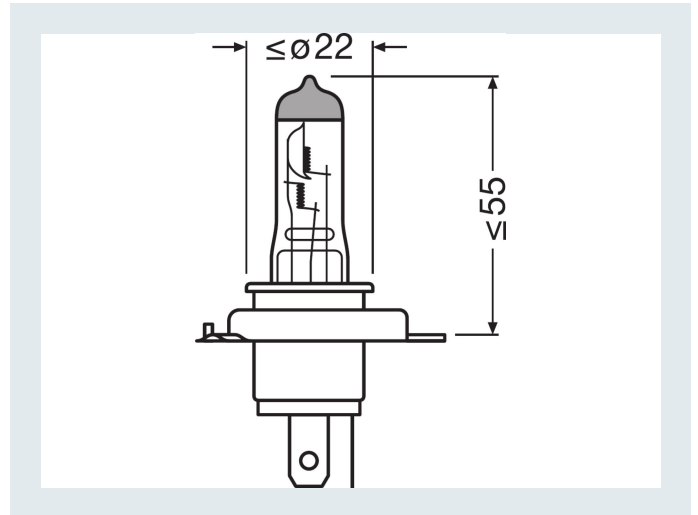
Order reference	N472EL1
-----------------	---------

Environmental information

Date of Declaration	06-02-2023
Primary Article Identifier	4052899540491 4052899569355 4055462245489 4062172300544
Candidate List Substance 1	No declarable substances contained
Declaration No. in SCIP database	In work

Packaging Information

Packaging description	EAN	Packaging type	Amount of article
NEOLUX N472EL1-2SCB	4062172300544	Soft cover box	2



Legal advice

Compared to minimum ECE R112/R37 requirements

NEOLUX[®]
GERMAN TECHNOLOGY

NEOLUX Automotive Lighting
OSRAM GmbH

Marcel-Breuer-Str 4
80807 Munich, Germany

Phone +49 89 6213-0
Fax +49 89 6213-2020

www.neolux-lighting.com