

PHILIPS

Find My Device

LED work lights



User manual

Before you start

Thank you for buying the Philips LED work lights. Its high-quality LED lighting offers a powerful wide-angle light output that will let you work in your workshop, garage or any other professional environment under the best lighting conditions.



The Philips LED work lights bears the official

Philips Automotive Grade Quality seal. Philips Automotive Grade Quality products are designed and developed following strict quality-control processes (including applicable ISO norms), leading to consistently high production standards.

Important

Please read this user guide carefully before using your LED work lights. This guide contains important health and safety information.

If you need further assistance, **please visit us:**
www.philips.com/support
Or visit your local Philips Dealer
For more information visit
www.philips.com/xperion-6000

1



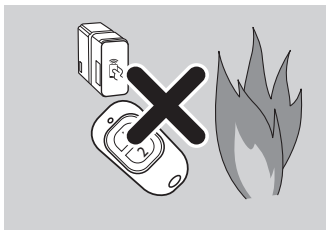
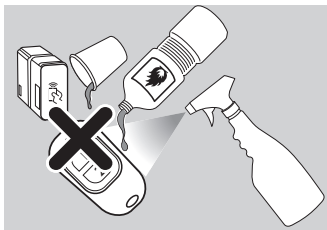
2



3



i



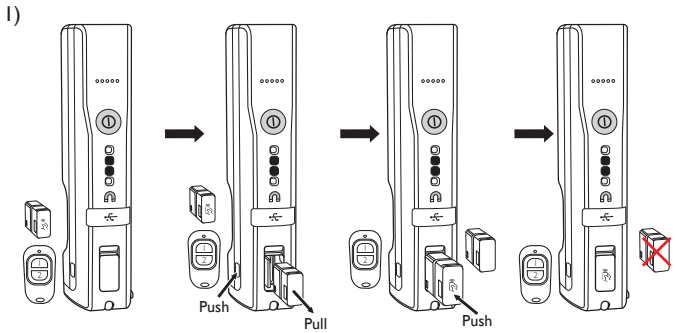
CE

UK
CA

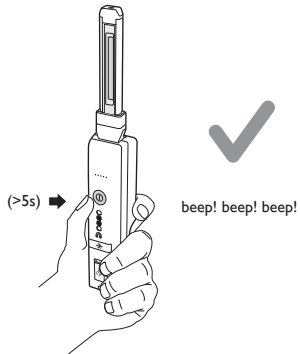
4



Upgrade your Xperion 6000 Slim with Philips Find My Device accessory



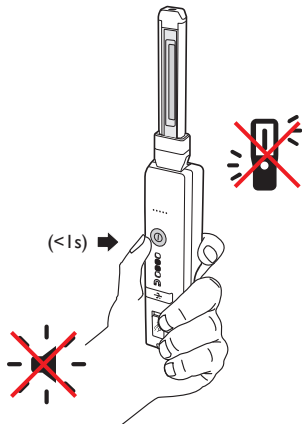
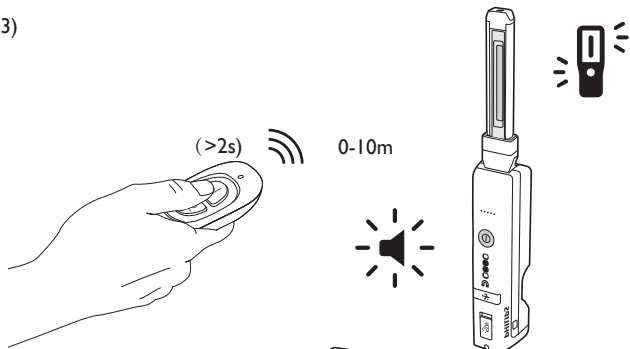
2)



4



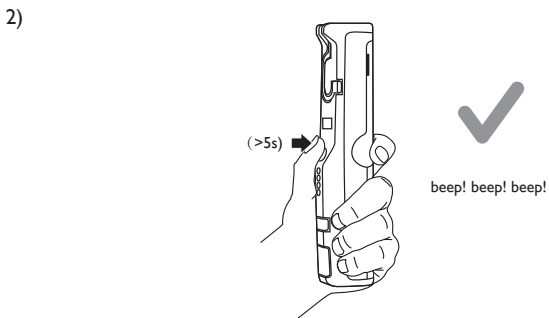
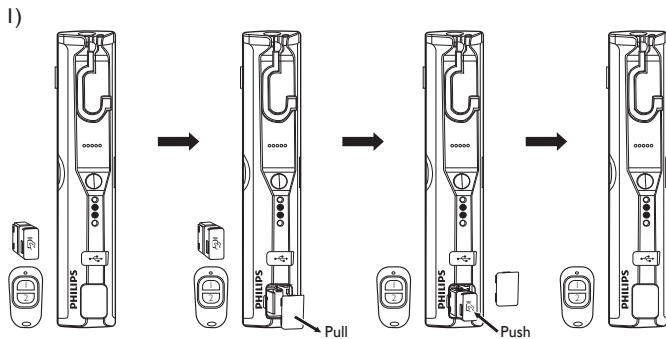
3)



4



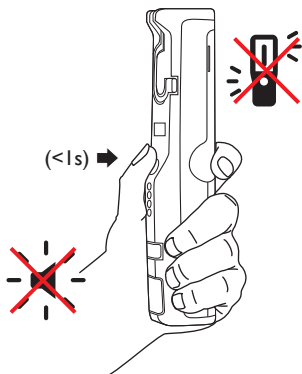
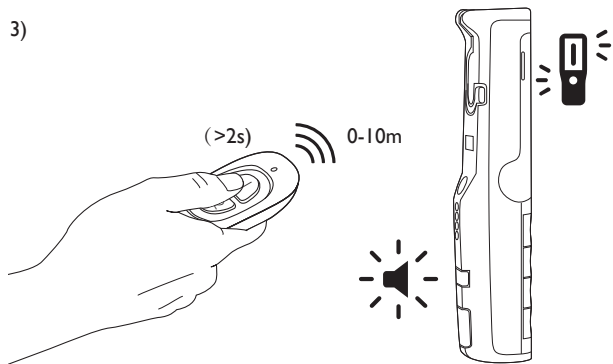
Upgrade your Xperion 6000 Pillar with Philips Find My Device accessory



4



3)

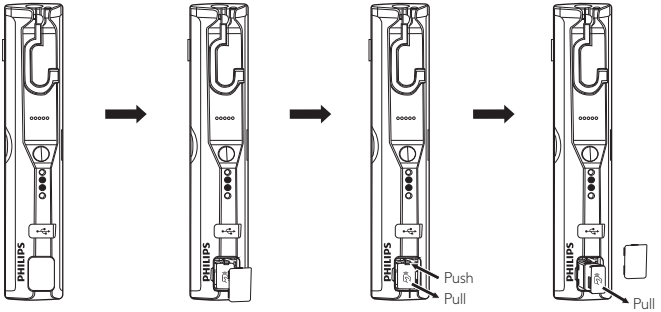


4

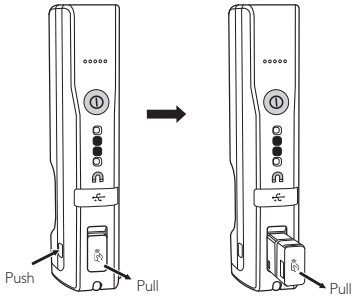


Way to take out the module

Xperia 6000 Pillar and Xperia 6000 UV Pillar



Xperia 6000 Slim





Description

**Battery**

Button battery(CR2032) included

**Find my device**

Up to 10m+

**IP**

IP20

**Operating temperature**

-10°C to 40°C

**Storage temperature**

-20°C to 50°C

**Product weight**

107g

6



WARRANTY

www.philips.com/support

Name: _____

Address: _____

Phone number: _____

Product name: _____

Purchasing date: _____



Lumileds is the warrantor of this product.
2021 © Lumileds Holding B.V. All rights reserved.
Philips and the Philips Shield Emblem are registered
trademarks of Koninklijke Philips N.V.
and are used under license.

3211 008 24651