



MASTERColour CDM MW Eco

MASTERColour MW eco MASTERColour CDM-T MW eco 230W/842 E40

Ceramic metal halide lamps with clear tubular or coated ellipsoid outer bulb, tailor-made to replace and outperform quartz metal halide lamps on existing gear.

Product data

General Information	
Cap-Base	E40 [E40]
Operating Position	UNIVERSAL [Any or Universal (U)]
Life to 5% Failures (Nom)	12000 h
Life to 10% Failures (Nom)	16000 h
Life to 20% Failures (Nom)	20000 h
Life to 50% Failures (Nom)	30000 h
System Description	
System Description	Universal
LSF 2000 h Rated	99 %
LSF 4000 h Rated	99 %
LSF 6000 h Rated	99 %
LSF 8000 h Rated	98 %
LSF 12000 h Rated	95 %
LSF 16000 h Rated	90 %
LSF 20000 h Rated	80 %
LSF 24000 h Rated	70 %
LSF 28000 h Rated	56 %
LSF 30000 h Rated	50 %
Light Technical	
Color Code	842 [CCT of 4200K]

Luminous Flux (Rated) (Nom)	21900 lm
Color Designation	Cool White (CW)
Chromaticity Coordinate X (Nom)	354
Chromaticity Coordinate Y (Nom)	351
Correlated Color Temperature (Nom)	4200 K
Luminous Efficacy (Rated) (Nom)	96.5 lm/W
Color Rendering Index (Nom)	88
LLMF 2000 h Rated	92 %
LLMF 4000 h Rated	87 %
LLMF 6000 h Rated	84 %
LLMF 8000 h Rated	82 %
LLMF 12000 h Rated	80 %
LLMF 16000 h Rated	77 %
LLMF 20000 h Rated	75 %
Ratio Scotopic/Photopic Lumens	1.87
Operating and Electrical	
Power (Rated) (Nom)	227.0 W
Lamp Current Run-Up (Max)	2.2 A
Lamp Current (EM) (Nom)	2.14 A
Ignition Supply Voltage (Max)	198 V

MASTERColour CDM MW Eco

Ignition Peak Voltage (Max)	5000 V
Re-Ignition Time (Min) (Max)	900 s
Ignition Time (Max)	30 s
Voltage (Max)	132 V
Voltage (Min)	118 V
Voltage (Nom)	134 V

Controls and Dimming

Dimmable	No
Run-Up Time 90% (Max)	3 min

Mechanical and Housing

Bulb Finish	Clear
Bulb Material	Hard Glass

Approval and Application

Energy Efficiency Label (EEL)	A+
Mercury (Hg) Content (Nom)	32.0 mg
Energy Consumption kWh/1000 h	250 kWh

UV

Pet (Niosh) (Nom)	8 h/500lx
-------------------	-----------

Luminaire Design Requirements

Bulb Temperature (Max)	550 °C
Cap-Base Temperature (Max)	250 °C

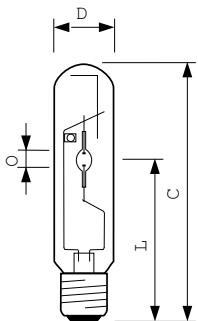
Product Data

Full product code	871869659681400
Order product name	MASTERColour MW eco MASTERColour CDM-T MW eco 230W/842 E40
EAN/UPC - Product	8718696596814
Order code	928070119230
Numerator - Quantity Per Pack	1
Numerator - Packs per outer box	12
Material Nr. (12NC)	928070119230
Net Weight (Piece)	166.000 g

Warnings and Safety

- For use with control gear designed for high pressure mercury or high-pressure sodium lamps with external ignitor
- A lamp breaking is extremely unlikely to have an impact on your health. If a lamp breaks, ventilate the room for 30 minutes and remove the parts, preferably with gloves. Put them in a sealed plastic bag and take it to your local waste facilities for recycling. Do not use a vacuum cleaner.
- Warm restart time can be up to 15 minutes; T15 ignitors therefore advised.

Dimensional drawing

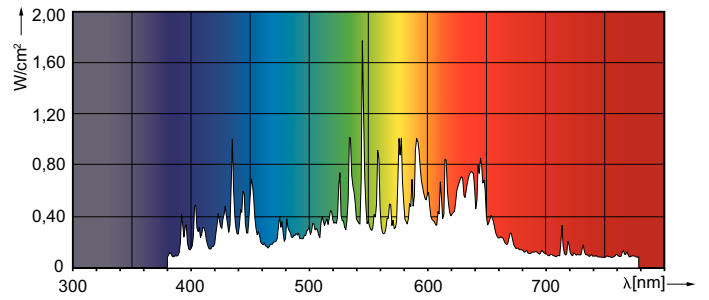
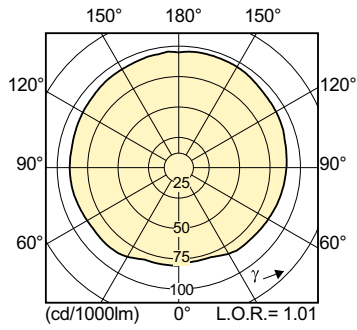


CDM-T MW eco 230W/842 E40

Product	D (max)	O	L	C (max)
MASTERColour MW eco MASTERColour	47 mm	12.4 mm	157 mm	257 mm
CDM-T MW eco 230W/842 E40				

MASTERColour CDM MW Eco

Photometric data



Lifetime

