



MASTERColour CDM MW Eco

MASTERColour MW eco MASTERColour CDM-T MW eco 360W/842 E40

Ceramic metal halide lamps with clear tubular or coated ellipsoid outer bulb, tailor-made to replace and outperform quartz metal halide lamps on existing gear.

Product data

General Information			
Cap-Base	E40 [E40]	Luminous Flux (Rated) (Nom)	35270 lm
Operating Position	P45 [Parallel +/-45D or Horizontal(HOR)]	Color Designation	Cool White (CW)
Life to 5% Failures (Nom)	12000 h	Chromaticity Coordinate X (Nom)	376
Life to 10% Failures (Nom)	16000 h	Chromaticity Coordinate Y (Nom)	374
Life to 20% Failures (Nom)	20000 h	Correlated Color Temperature (Nom)	4200 K
Life to 50% Failures (Nom)	30000 h	Luminous Efficacy (Rated) (Nom)	98 lm/W
System Description	Horizontal Operating Position	Color Rendering Index (Nom)	88
LSF 2000 h Rated	99 %	LLMF 2000 h Rated	92 %
LSF 4000 h Rated	99 %	LLMF 4000 h Rated	87 %
LSF 6000 h Rated	99 %	LLMF 6000 h Rated	84 %
LSF 8000 h Rated	98 %	LLMF 8000 h Rated	82 %
LSF 12000 h Rated	95 %	LLMF 12000 h Rated	80 %
LSF 16000 h Rated	90 %	LLMF 16000 h Rated	77 %
LSF 20000 h Rated	80 %	LLMF 20000 h Rated	75 %
LSF 24000 h Rated	70 %	Ratio Scotopic/Photopic Lumens	1.74
LSF 28000 h Rated	56 %		
LSF 30000 h Rated	50 %		
Light Technical		Operating and Electrical	
Color Code	842 [CCT of 4200K]	Power (Rated) (Nom)	361.0 W
		Lamp Current Run-Up (Max)	3.6 A
		Lamp Current (EM) (Nom)	3.42 A
		Ignition Supply Voltage (Max)	198 V

MASTERColour CDM MW Eco

Ignition Peak Voltage (Max)	5000 V
Re-Ignition Time (Min) (Max)	900 s
Ignition Time (Max)	30 s
Voltage (Max)	133 V
Voltage (Min)	115 V
Voltage (Nom)	124 V

Controls and Dimming

Dimmable	No
Run-Up Time 90% (Max)	3 min

Mechanical and Housing

Bulb Finish	Clear
Bulb Material	Hard Glass

Approval and Application

Energy Efficiency Label (EEL)	A+
Mercury (Hg) Content (Nom)	51.0 mg
Energy Consumption kWh/1000 h	397 kWh

UV

Pet (Niosh) (Nom)	8 h/500lx
-------------------	-----------

Luminaire Design Requirements

Bulb Temperature (Max)	600 °C
Cap-Base Temperature (Max)	250 °C

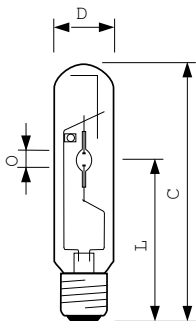
Product Data

Full product code	871869664610600
Order product name	MASTERColour MW eco MASTERColour CDM-T MW eco 360W/842 E40
EAN/UPC - Product	8718696646106
Order code	928070319230
Numerator - Quantity Per Pack	1
Numerator - Packs per outer box	12
Material Nr. (12NC)	928070319230
Net Weight (Piece)	166.000 g

Warnings and Safety

- For use with control gear designed for high pressure mercury or high-pressure sodium lamps with external ignitor
- A lamp breaking is extremely unlikely to have an impact on your health. If a lamp breaks, ventilate the room for 30 minutes and remove the parts, preferably with gloves. Put them in a sealed plastic bag and take it to your local waste facilities for recycling. Do not use a vacuum cleaner.
- Warm restart time can be up to 15 minutes; T15 ignitors therefore advised.

Dimensional drawing

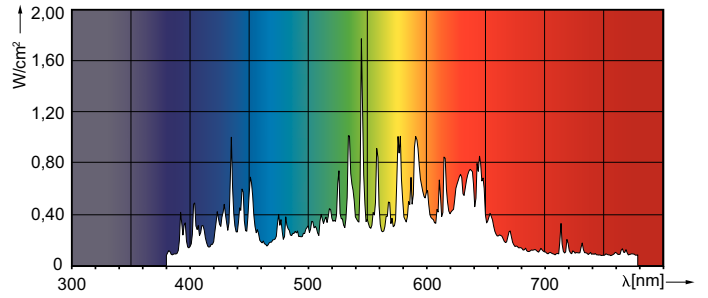
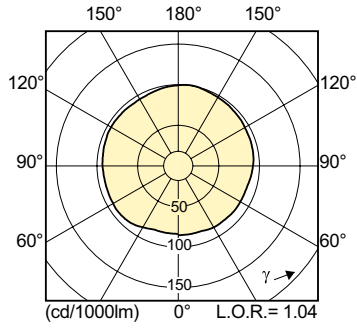


CDM-T MW eco 360W/842 E40

Product	D	O	L	C (max)
MASTERColour MW eco MASTERColour	47 mm	11.9 mm	161 mm	257 mm
CDM-T MW eco 360W/842 E40				

MASTERColour CDM MW Eco

Photometric data



Lifetime

